


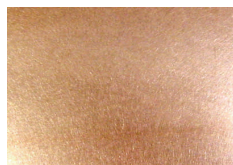


MODEL	FEATURES—24” Deep, 26” High	CFM	MODEL
W-Nottingham 	<ul style="list-style-type: none"> Standard Finishes: Copper, Copper with Heavy Texture, Zinc or Stainless Steel Ventilator Insert with Baffle Filters Included 2 Vertical Straps & Rivets included. Additional Charges For: Height Up to 38” Height Up to 50” 	625 CFM 8” Round Duct 625 CFM 8” Round Duct 975 CFM 10” Round Duct 1320 CFM (2) 8” Round Ducts 1100 CFM (2) 8” Ducts into (1) 10” Transition	WN36-_____ FINISH WN42-_____ FINISH WN48-_____ FINISH WN54-_____ FINISH WN54-T-_____ FINISH
W-Camden 	<ul style="list-style-type: none"> Standard Finishes: Copper, Copper with Heavy Texture, Zinc or Stainless Steel Ventilator Insert with Baffle Filters Included Two Tone, with standard colors, included. Additional Charges For: Height Up to 38” Height Up to 50” 	625 CFM 8” Round Duct 625 CFM 8” Round Duct 975 CFM 10” Round Duct 1320 CFM (2) 8” Round Ducts 1100 CFM (2) 8” Ducts into (1) 10” Transition	WC36-_____ FINISH WC42-_____ FINISH WC48-_____ FINISH WC54-_____ FINISH WC54-T-_____ FINISH
W-Bristol 	<ul style="list-style-type: none"> Standard Finishes: Copper, Copper with Heavy Texture, Brass, or Stainless Steel Ventilator Insert with Baffle Filters Included Horizontal Straps & Rivets included. Additional Charges For: Height Up to 38” Height Up to 50” 	625 CFM 8” Round Duct 625 CFM 8” Round Duct 975 CFM 10” Round Duct 1320 CFM (2) 8” Round Ducts 1100 CFM (2) 8” Ducts into (1) 10” Transition	WB36-_____ FINISH WB42-_____ FINISH WB48-_____ FINISH WB54-_____ FINISH WB54-T-_____ FINISH

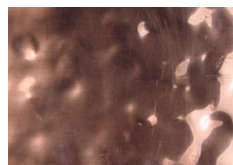
OPTIONS:

- Additional Color Options: Copper w/Dark Patina, Copper w/Light Patina, Zinc w/Aged-Mottled Patina & Zinc w/Light Patina for an additional charge.
- Call for custom quotes.

STANDARD FINISHES:



Copper Polished = COP



Copper w/Heavy Texture = CHT

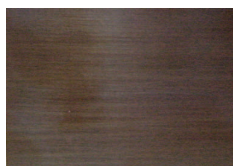


Zinc Matte Finish = ZIN

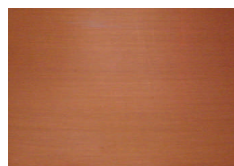


Stainless Steel = SS

OPTIONAL FINISHES:



Copper w/Dark Patina = CDP



Copper w/Light Patina = CLP



Zinc w/Light Patina = ZLP

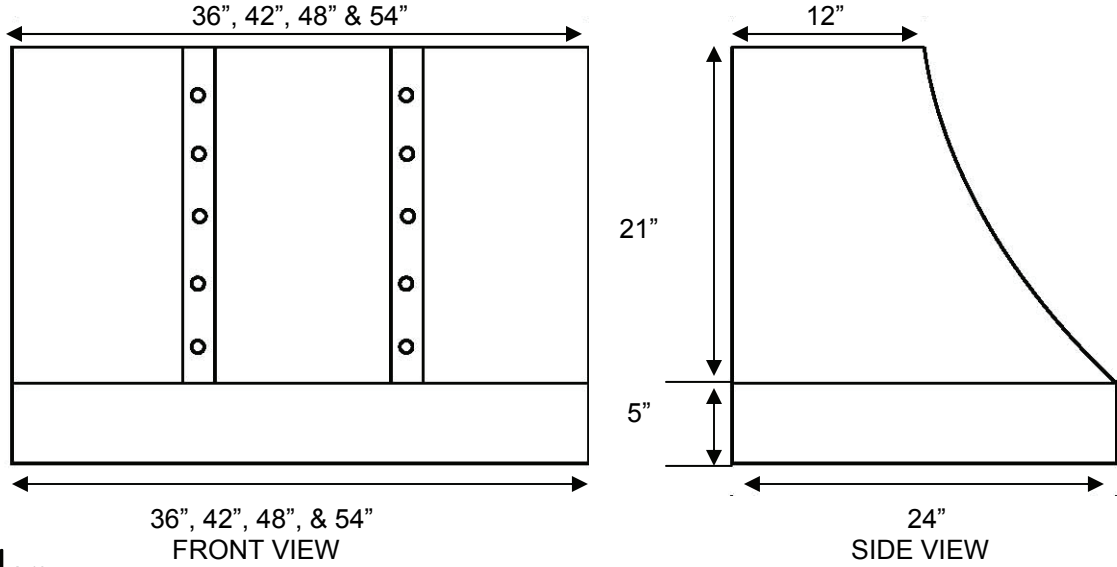


Zinc w/Aged-Mottled Patina = ZAP

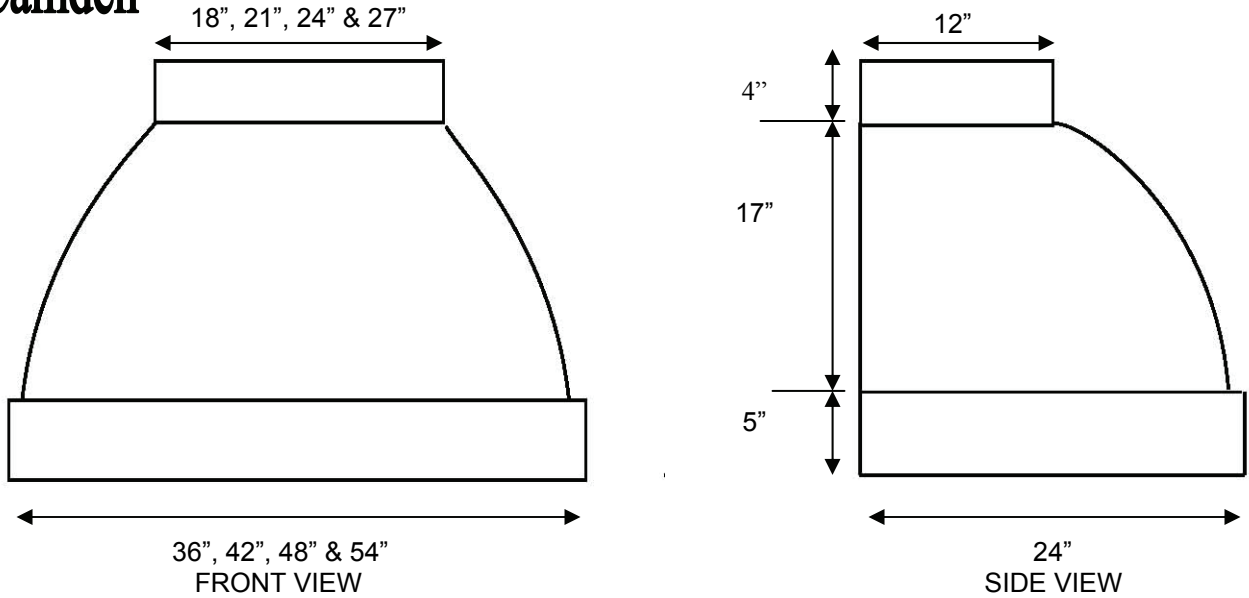
These color samples are representative only and will vary from the actual color depending on the computer monitor or printer used to view them.

Wall Mount Specifications

W-Nottingham



W-Camden



W-Bristol

