

# **IMPERIAL** KITCHEN VENTILATION



## Product Catalog

American Made Since 1961



# Why Choose Imperial



- ◆ 7 Year Warranty on Parts & Labor...Best in the Industry.
  - ◆ Made in California.
  - ◆ Exceptional customer service.
    - ◆ In business since 1961.
    - ◆ Simple Installation.
  - ◆ Custom pieces in as little as 4 weeks.
    - ◆ Employee owned.
    - ◆ Availability.
    - ◆ Variety of Styles.
    - ◆ Reliability.

**NOW THE QUESTION IS: "Why NOT Choose Imperial."**

---

---

## About Imperial

Imperial Cal. Products, Inc. was founded in 1961 by Frank Flentye. Frank began making economy range hoods in his San Fernando Valley, CA garage. In 1962 Frank hired Dick Mancinelli, now VP of Production. The company started out in Van Nuys, CA, in a 1000 square foot building. With Frank, Dick and a few part-time college students, the



company was able to produce 500 economy hoods a month.

Soon the demand for quality high-end models was exceeding their manufacturing abilities. Frank and his employees began hand-crafting a number of high-end models and styles. More product demand required more space and a larger work force. In 1973, after 10 years in the San Fernando Valley/ Burbank area, the company moved to Orange County. Imperial relocated to a 35,000 square foot plant in Brea, California. It is here that approximately 900 variations of the nine different groups and styles of range hoods are produced by 35 employees. The increase in the demand for Imperial products is due to three main factors; our emphasis on quality, performance, and customer service. Our focus in these three areas has resulted in our steady growth. In 2006, Frank Flentye turned the company over to his employees. Imperial has an ESOP program where the employees enjoy ownership in the company along with the pride of watching Imperial expand. In 2018 Dick Mancinelli retired from his position as VP Operations and Chief Engineer after working at Imperial for 50 years. He remains a member of our Board of Directors and continues to serve as a consultant. His expertise and innovation helped build Imperial into the successful company we are today. Although once exclusively based in Southern California, the company has expanded sales Nationwide and into Canada.

Power Choices	Page 1
Filter Choices	Page 2

**Powered Liner Series**

Powered Liner ~ Wall Application—Baffle Filters	Page 3
Powered Liner ~ Wall Application—Mesh Filters	Page 5
Powered Liner ~ Island Application—Slim Baffle & Mesh Filters	Page 9

**Island Series**

Island Pyramid	Page 11
Island Slim Line	Page 13
Contemporary Island Slim Line	Page 15
Ceiling Mount Island	Page 17

**Wall Mount Series**

Wall Mount & Outdoor Series	Page 19
Wall Pyramid	Page 22
Wall Contemporary Styles	Page 26

**Under Cabinet Series**

Select 10	Page 28
Slim Line	Page 30
Flush Mount	Page 34

Recycling Cabinet	Page 37
-------------------	---------

**Miscellaneous**

Accessories	Page 39
Make-Up Air Kit	Page 40
In-Line Blower	Page 41
Ventilators for use with In-Line Blowers	Page 43
Ducting Considerations/Custom Stack & Duct Cover Height Calculations	Page 45

800.851.4192 ~ [www.imperialhoods.com](http://www.imperialhoods.com)

7 YEAR WARRANTY—BEST IN THE INDUSTRY

# Imperial Kitchen Ventilation

## Picture Index

VENTILATOR INSERT			PAGE 3-9
ISLAND PYRAMID			PAGE 11
ISLAND SLIM LINE			PAGE 13
CONTEMPORARY ISLAND			PAGE 15
CEILING MOUNT ISLAND			PAGE 17
WALL MOUNT			PAGE 19-21
WALL PYRAMID			PAGE 22-25
WALL MOUNT CONTEMPORARY			PAGE 26
SELECT 10			PAGE 28
SLIM LINE			PAGE 30-33

# Imperial Kitchen Ventilation

## Picture Index

<p>FLUSH MOUNT</p>			<p>PAGE 34-36</p>
<p>RECYCLING CABINET</p>			<p>PAGE 37</p>
<p>ACCESSORIES</p>	 <p>Microwave Filler Kit</p>	 <p>Non-Vent Kit</p>	<p>PAGE 39</p>
<p>MAKE-UP AIR KIT</p>			<p>PAGE 40</p>
<p>IN-LINE BLOWER, SILENCER</p>			<p>PAGE 41-42</p>
<p>DUCTING CONSIDERATIONS &amp; DUCT HEIGHT CALCULATIONS</p>			<p>PAGE 43-44</p>





**SINGLE BALANCED CENTRIFUGAL BLOWER  
WITH "FREE-AIR" CHAMBER**

BP1 - 635 CFM - VARIABLE SPEED MOTOR REQUIRES (1) 7" ROUND DUCT  
Recommended for Standard Residential Cooking With A  
Four or Five Burner Cooking Surface. Also with (30") and Select (36")  
Professional Style Ranges.



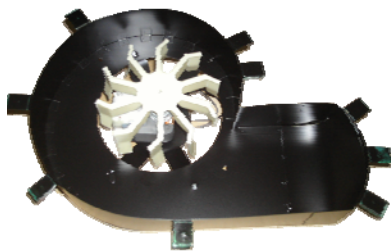
**DUAL BALANCED CENTRIFUGAL BLOWERS  
WITH "FREE-AIR" CHAMBER  
(Two Single Blowers JOINED Together Into ONE Exit)**

BP 735 CFM & PS - 750 CFM - VARIABLE SPEED MOTOR REQUIRES  
(1) 7" ROUND DUCT  
Recommended for Use With Six Burner (36") Professional Style Ranges.



**TWIN (TW) CENTRIFUGAL BLOWERS  
WITH "FREE-AIR" CHAMBERS  
(Two Single Blowers with TWO Separate Exits)**

PS1-TW—1270 CFM  
BP1-TW - 1250 CFM  
VARIABLE CONTROL MOTORS REQUIRES (2) 7" ROUND DUCTS  
Recommended With Larger (48"+) Professional Style Ranges.



**TURBO BLOWER**

425 CFM @ 4.9 SONES  
VARIABLE SPEED  
REQUIRES (1) 7" ROUND DUCT  
AVAILABLE ON N1900 SLIM LINE MODELS  
Recommended for Standard Residential Cooking With A  
Four or Five Burner Cooking Surface.



SD2



SD4

**AIR-RING MOTORS**

SD2 - 360 CFM - TWO SPEED MOTOR  
SD4 - 430 CFM - VARIABLE SPEED MOTOR  
REQUIRES (1) 7" ROUND DUCT

Recommended for Standard Residential  
Cooking With A Four or Five Burner  
Cooking Surface.



### Stainless Steel Baffle

#### Set Includes:

- 1 Grease Tray
  - 1 Center Panel
  - 1 Set of 2 Baffle Filters
- (54" & 60" include 2 sets/4 Filters)



### Aluminum Mesh

#### Set Includes:

- Set of 2 Filters
- (Some models need 4 Filters)



### Slim Baffle

#### Set Includes:

- Set of 2 Slim Baffles
- (Some models include 2 Sets/4 Filters)

#### **BAFFLE FILTER CLEANING**

To remove Baffle Filters, remove center panel by pulling panel toward the front of the hood, lift up to remove. Move filters to the center of the hood, pull baffle towards the front of the hood and lift out. To remove grease tray, slide tray to the top of the hood and lift out. Grease will accumulate in grease tray. Clean with hot water and polish with stainless steel cleaner.

#### **ALUMINUM MESH & SLIM BAFFLE FILTER CLEANING**

Clean filters often for the best performance. How often depends on cooking style. Use hot water and a degreaser to clean.

**May be used in the dishwasher through the RINSE cycle ONLY. Some detergents and drying agents may discolor filters.**

Slim Baffle, polish with stainless steel cleaner.

22-1/8" Depth, 10" High	MODEL
<ul style="list-style-type: none"> <li>◆ 635± CFM</li> <li>◆ 7" Round Duct</li> </ul>	C2030PSB-SS C2036PSB-SS C2042PSB-SS C2048PSB-SS
<ul style="list-style-type: none"> <li>◆ 765± CFM</li> <li>◆ 8" Round Transition</li> </ul>	C2030PSB-8-SS C2036PSB-8-SS C2042PSB-8-SS C2048PSB-8-SS
<ul style="list-style-type: none"> <li>◆ 850± CFM</li> <li>◆ 10" Round Transition</li> </ul>	C2030PSB-K-SS C2036PSB-K-SS C2042PSB-K-SS C2048PSB-K-SS
<ul style="list-style-type: none"> <li>◆ 1080± CFM</li> <li>◆ Two 7" Round Ducts</li> </ul>	C2036PS1-TWB-SS C2042PS1-TWB-SS C2048PS1-TWB-SS C2054PS1-TWB-SS C2060PS1-TWB-SS
<ul style="list-style-type: none"> <li>◆ 1290± CFM .</li> <li>◆ Two 8" Round Transitions</li> </ul>	C2036PS1-TWB-8-SS C2042PS1-TWB-8-SS C2048PS1-TWB-8-SS C2054PS1-TWB-8-SS C2060PS1-TWB-8-SS
18-1/8" Depth, 10" High	MODEL
<ul style="list-style-type: none"> <li>◆ 540± CFM</li> <li>◆ 7" Round Duct, 4.25" Off Center</li> </ul>	C2030BP1B-SS C2036BP1B-SS C2042BP1B-SS
<ul style="list-style-type: none"> <li>◆ 625± CFM</li> <li>◆ 7" Round Duct</li> </ul>	C2030BPB-SS C2036BPB-SS C2042BPB-SS C2048BPB-SS
<ul style="list-style-type: none"> <li>◆ 750± CFM</li> <li>◆ 8" Round Transition</li> </ul>	C2030BPB-8-SS C2036BPB-8-SS C2042BPB-8-SS C2048BPB-8-SS
<ul style="list-style-type: none"> <li>◆ 840± CFM</li> <li>◆ 10" Round Transition</li> </ul>	C2030BPB-K-SS C2036BPB-K-SS C2042BPB-K-SS C2048BPB-K-SS
<ul style="list-style-type: none"> <li>◆ 1065± CFM</li> <li>◆ Two 7" Round Ducts</li> </ul>	C2036BP1-TWB-SS C2042BP1-TWB-SS C2048BP1-TWB-SS C2054BP1-TWB-SS C2060BP1-TWB-SS
<ul style="list-style-type: none"> <li>◆ 1275±</li> <li>◆ Two 8" Round Transitions</li> </ul>	C2036BP1-TWB-8-SS C2042BP1-TWB-8-SS C2048BP1-TWB-8-SS C2054BP1-TWB-8-SS C2060BP1-TWB-8-SS



C2000 Baffle Series

**FEATURES:**

- ◆ Variable Controls
- ◆ Sones: 1.5 to 4.6
- ◆ Filters: Stainless Steel Baffles
- ◆ Front Panel Lighting: LED bulbs Included.  
30" to 48" Hoods take 2 Bulbs (1 Set)  
54" to 60" Hoods take 4 Bulbs (2 Sets)
- ◆ Electrical: 115 AC, 60 Hz, 9 Amps. For proper installation, unit must be hard wired. Suggested use with 15 Amp Circuit.
- ◆ Heat Controlled Thermostat, Fire Safety Controlled. Activates at 130 degrees.
- ◆ Suggested Distance Codes: 36" above cooking surface.

**OPTIONS:**

- ◆ Transition, see page 39.
- ◆ Remote location wiring, see page 39.

NO Performance Warranty over BBQ Grills/Griddles.

**TRANSITION**

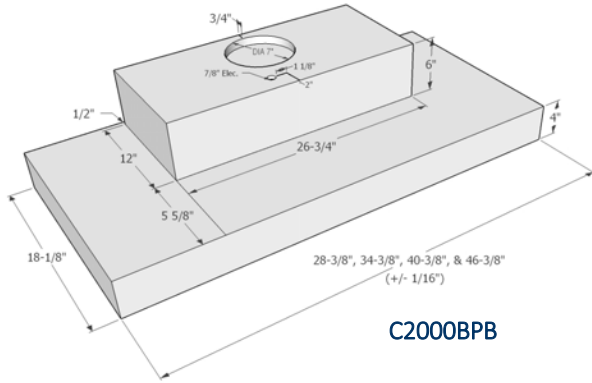
Example: C2036PSB-8  
Vent Size 8" Round x 3-1/2" High

Example: C2042BPB-K  
Vent Size 10" Round x 7" High

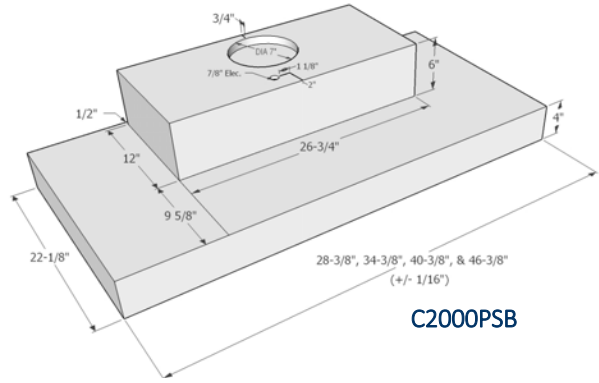




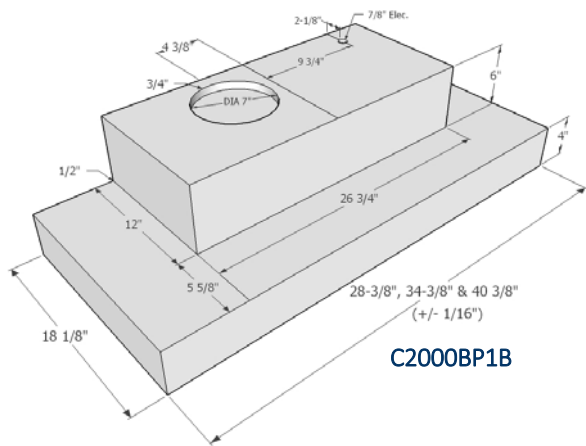
# Ventilator Insert With Baffles, Specifications



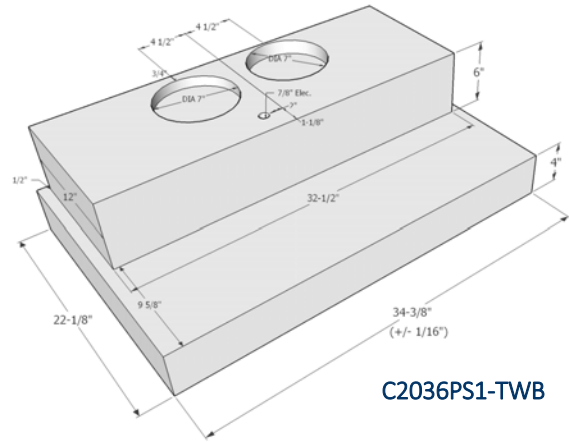
**C2000BPB**



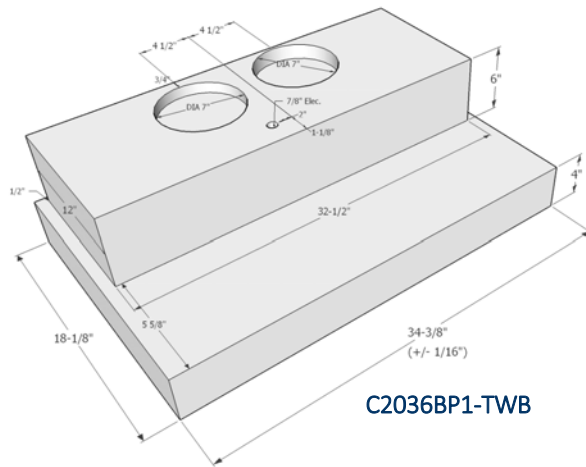
**C2000PSB**



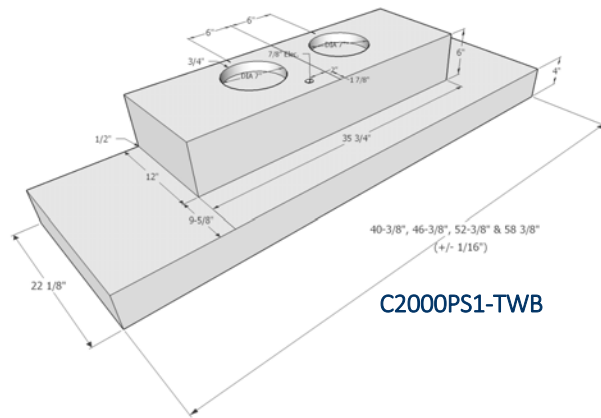
**C2000BP1B**



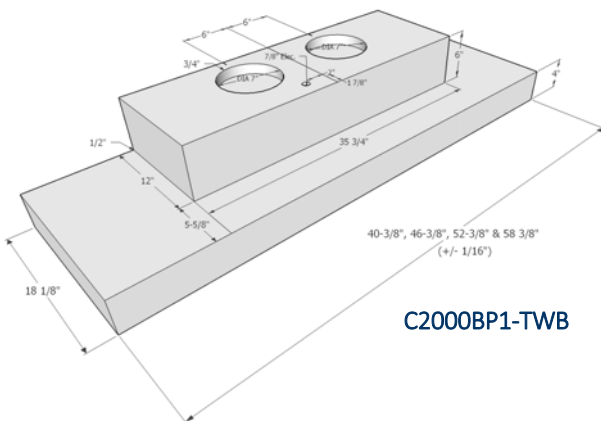
**C2036PS1-TWB**



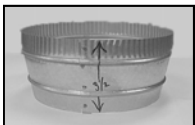
**C2036BP1-TWB**



**C2000PS1-TWB**



**C2000BP1-TWB**



**8" Transition  
8" Round x 3-1/2" high**



**10" Transition  
10" Round x 7-1/2" high**

**SEVEN YEAR, IN HOME, LIMITED WARRANTY, THE BEST IN THE INDUSTRY!**

All dimensions are (+/-) 1/16" and are subject to change. Drawings are not to scale.

22-1/8" Depth, 6" High	MODEL
<ul style="list-style-type: none"> <li>◆ 750± CFM</li> <li>◆ 7" Round Duct</li> </ul>	C2030PS-SS C2036PS-SS C2042PS-SS C2048PS-SS
<ul style="list-style-type: none"> <li>◆ 900± CFM</li> <li>◆ 8" Round Transition</li> </ul>	C2030PS-8-SS C2036PS-8-SS C2042PS-8-SS C2048PS-8-SS
<ul style="list-style-type: none"> <li>◆ 1000± CFM</li> <li>◆ 10" Round Transition</li> </ul>	C2030PS-K-SS C2036PS-K-SS C2042PS-K-SS C2048PS-K-SS
<ul style="list-style-type: none"> <li>◆ 1270± CFM</li> <li>◆ Two 7" Round Ducts</li> </ul>	C2036PS1-TW-SS C2042PS1-TW-SS C2048PS1-TW-SS C2054PS1-TW-SS C2060PS1-TW-SS
<ul style="list-style-type: none"> <li>◆ 1520± CFM .</li> <li>◆ Two 8" Round Transitions</li> </ul>	C2036PS1-TW-8-SS C2042PS1-TW-8-SS C2048PS1-TW-8-SS C2054PS1-TW-8-SS C2060PS1-TW-8-SS
18-1/8" Depth, 6" High	MODEL
<ul style="list-style-type: none"> <li>◆ 635± CFM</li> <li>◆ 7" Round Duct, 4.25" Off Center</li> </ul>	C2030BP1-SS C2036BP1-SS C2042BP1-SS
<ul style="list-style-type: none"> <li>◆ 735± CFM</li> <li>◆ 7" Round Duct</li> </ul>	C2030BP-SS C2036BP-SS C2042BP-SS C2048BP-SS
<ul style="list-style-type: none"> <li>◆ 880± CFM</li> <li>◆ 8" Round Transition</li> </ul>	C2030BP-8-SS C2036BP-8-SS C2042BP-8-SS C2048BP-8-SS
<ul style="list-style-type: none"> <li>◆ 990± CFM</li> <li>◆ 10" Round Transition</li> </ul>	C2030BP-K-SS C2036BP-K-SS C2042BP-K-SS C2048BP-K-SS
<ul style="list-style-type: none"> <li>◆ 1250± CFM</li> <li>◆ Two 7" Round Ducts</li> </ul>	C2036BP1-TW-SS C2042BP1-TW-SS C2048BP1-TW-SS C2054BP1-TW-SS C2060BP1-TW-SS
<ul style="list-style-type: none"> <li>◆ 1500±</li> <li>◆ Two 8" Round Transitions</li> </ul>	C2036BP1-TW-8-SS C2042BP1-TW-8-SS C2048BP1-TW-8-SS C2054BP1-TW-8-SS C2060BP1-TW-8-SS



C2000 Mesh Filters

**FEATURES:**

- ◆ Variable Controls
- ◆ Sones: 1.5 to 4.6
- ◆ Filters: Aluminum Mesh
- ◆ Front Panel Lighting: LED bulbs Included.
  - 30" to 48" Hoods take 2 Bulbs (1 Set)
  - 54" to 60" Hoods take 4 Bulbs (2 Sets)
- ◆ Electrical: 115 AC, 60 Hz, 9 Amps. For proper installation, unit must be hard wired. Suggested use with 15 Amp Circuit.
- ◆ Heat Controlled Thermostat, Fire Safety Controlled. Activates at 130 degrees.
- ◆ Suggested Distance Codes: 36" above cooking surface.

**OPTIONS:**

- ◆ Flange for the perfect fit. See page 39.
- ◆ Transition, see page 39.
- ◆ Remote location wiring, see page 39.
- ◆ Island Application available. Call for a quote.

NO Performance Warranty over BBQ Grills/Griddles.

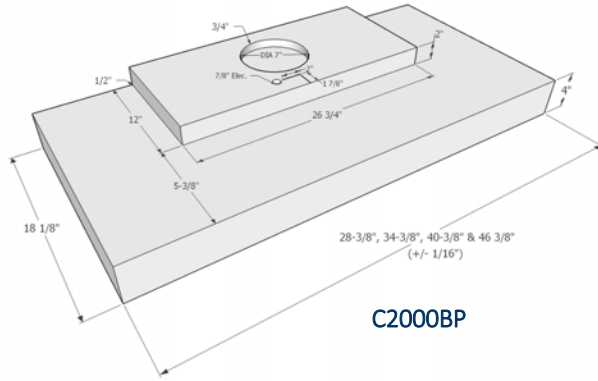
**TRANSITION**

**Example: C2036PS-8**  
Vent Size 8" Round x 3-1/2" High

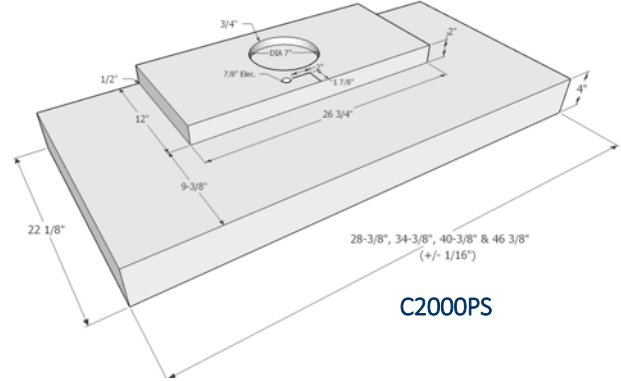
**Example: C2042BP-K**  
Vent Size 10" Round x 7" High



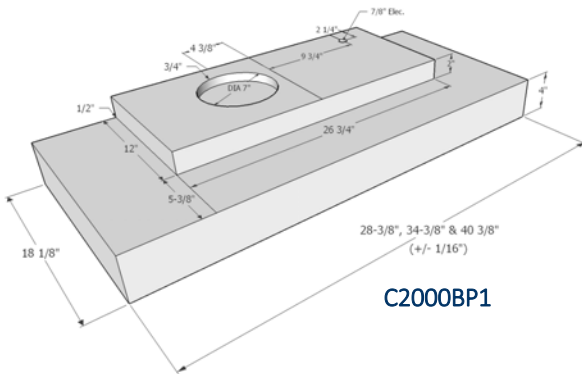
# Ventilator Insert Specifications



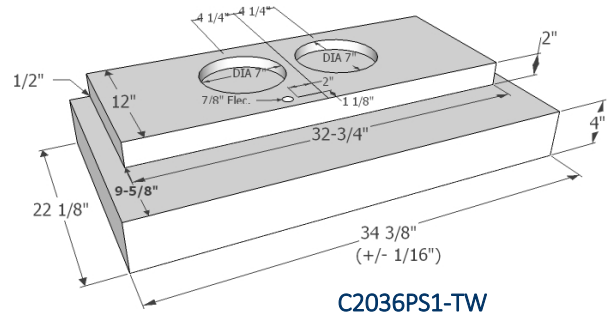
**C2000BP**



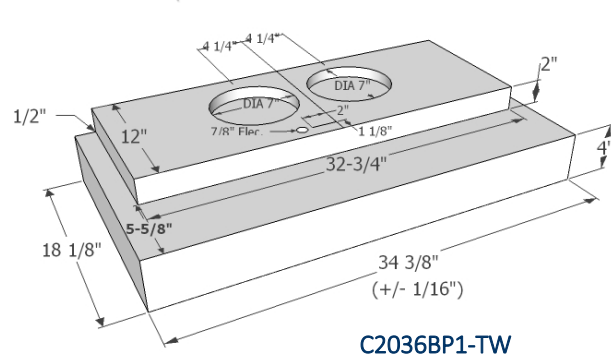
**C2000PS**



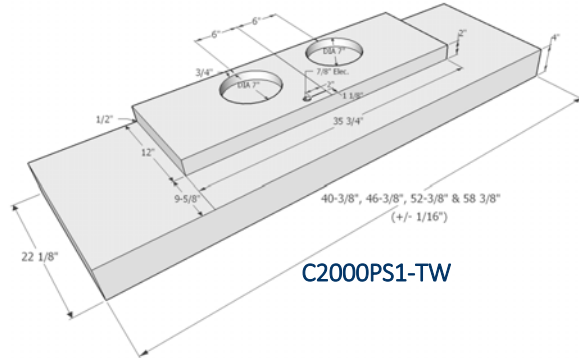
**C2000BP1**



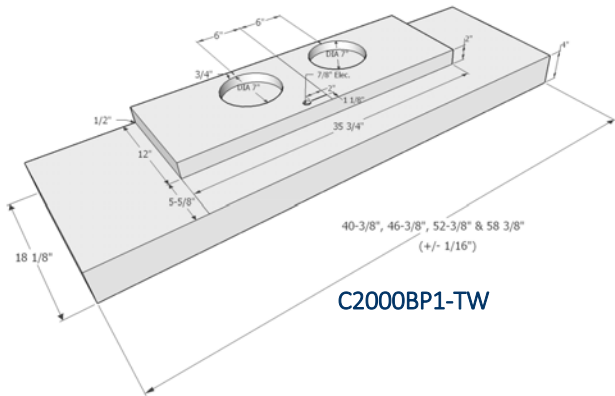
**C2036PS1-TW**



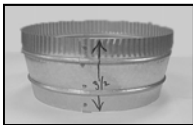
**C2036BP1-TW**



**C2000PS1-TW**



**C2000BP1-TW**



**8" Transition**  
8" Round x 3-1/2" high



**10" Transition**  
10" Round x 7-1/2" high

**SEVEN YEAR, IN HOME, LIMITED WARRANTY, THE BEST IN THE INDUSTRY!**

All dimensions are (+/-) 1/16" and are subject to change. Drawings are not to scale.

18-1/8" Depth, 6" High	MODEL
<ul style="list-style-type: none"> <li>◆ 360± CFM @ 2.5 to 4.9 Sones</li> <li>◆ 7" Round Duct</li> </ul>	C2030SD2-SS C2036SD2-SS C2042SD2-SS
<ul style="list-style-type: none"> <li>◆ 430± CFM @ 2.5 to 7.6 Sones</li> <li>◆ 7" Round Duct</li> </ul>	C2030SD4-SS C2036SD4-SS C2042SD4-SS C2048SD4-SS
12" Depth, 6" High	MODEL
<ul style="list-style-type: none"> <li>◆ 430± CFM @ 2.5 to 7.6 Sones</li> <li>◆ 7" Round Duct</li> </ul>	C2024SD4-12-SS C2030SD4-12-SS C2036SD4-12-SS C2042SD4-12-SS
18-1/8" Depth, 6" High Re-Circulating	MODEL
<ul style="list-style-type: none"> <li>◆ Elbow Transition Included</li> <li>◆ Charcoal Combo Filters</li> </ul>	C2030SD2-NV-SS C2036SD2-NV-SS C2042SD2-NV-SS



C2000SD2



C2000SD4



C2000SD4-12

Powered Liner — C2000 Air Ring Fan  
Slim Baffle Series

18-1/8" Depth, 6" High Slim Baffle	MODEL
<ul style="list-style-type: none"> <li>◆ 390± CFM @ 2.5 to 7.6 Sones</li> <li>◆ 7" Round Duct</li> </ul> <p>C2000SD4SB is designed to meet the Builder Code of 400 CFMs without a make-up air kit.</p>	C2030SD4SB-SS C2036SD4SB-SS C2042SD4SB-SS C2048SD4SB-SS
<ul style="list-style-type: none"> <li>◆ 325± CFM @ 2.5 to 4.9 Sones</li> <li>◆ 7" Round Duct</li> </ul>	C2030SD2SB-SS C2036SD2SB-SS C2042SD2SB-SS

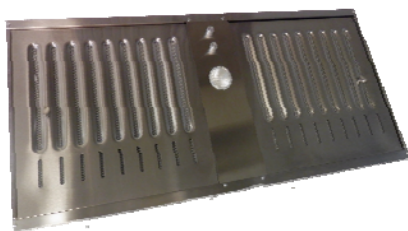
FEATURES:

- ◆ Variable or Rocker Controls.
- ◆ Center Panel Lighting: LED bulbs Included.
- ◆ Filters: Aluminum Mesh
- ◆ Filters: Slim Baffle
- ◆ Electrical: 115 AC, 60 Hz, 9 Amps. For proper installation, unit must be hard wired. Suggested use with 15 Amp Circuit.
- ◆ Suggested Distance Code: 30" above cooking surface.

OPTIONS:

- ◆ Flange for the perfect fit. See page 39.
- ◆ Remote location wiring. See Page 39.

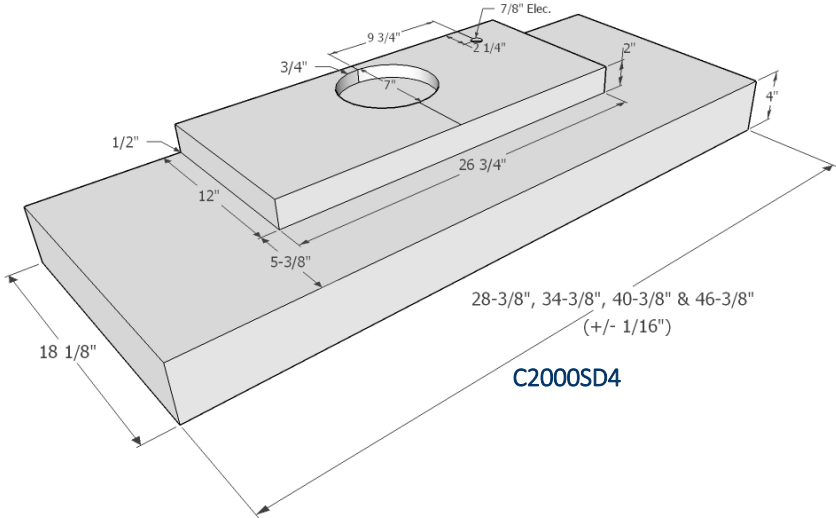
NO Performance Warranty over BBQ Grill/Griddle.



C2000SD4SB

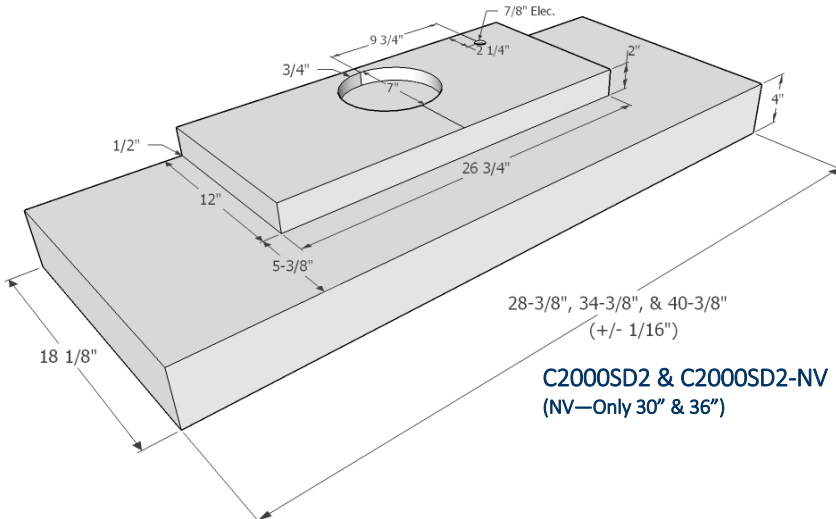


# Powered Liner Specifications



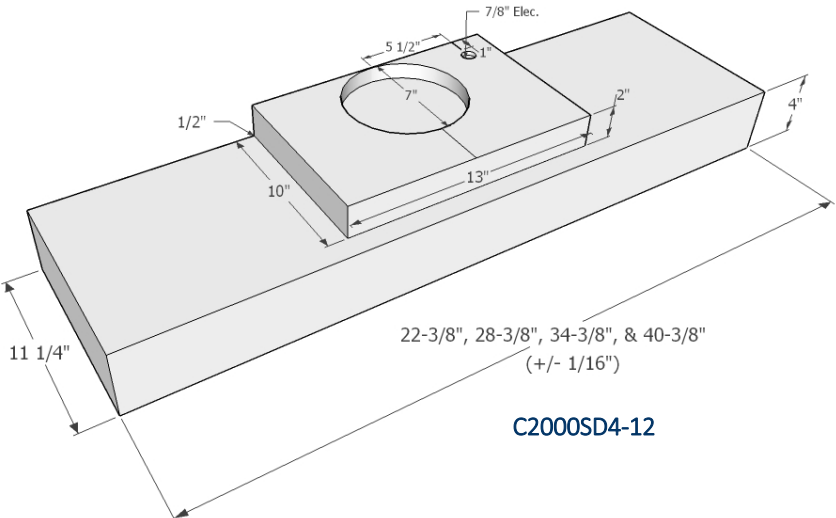
28-3/8", 34-3/8", 40-3/8" & 46-3/8"  
(+/- 1/16")

**C2000SD4**



28-3/8", 34-3/8", & 40-3/8"  
(+/- 1/16")

**C2000SD2 & C2000SD2-NV**  
(NV—Only 30" & 36")



22-3/8", 28-3/8", 34-3/8", & 40-3/8"  
(+/- 1/16")

**C2000SD4-12**

**SEVEN YEAR, IN HOME, LIMITED WARRANTY, THE BEST IN THE INDUSTRY!**  
All dimensions are (+/-) 1/16" and are subject to change. Drawings are not to scale.



22-1/8" Depth, 6" High	MODEL
<ul style="list-style-type: none"> <li>◆ 675± CFM</li> <li>◆ 7" Round Duct</li> </ul>	C2036PSSB-IS22-SS C2042PSSB-IS22-SS C2048PSSB-IS22-SS
<ul style="list-style-type: none"> <li>◆ 810± CFM</li> <li>◆ 8" Round Transition</li> </ul>	C2036PSSB-IS22-8-SS C2042PSSB-IS22-8-SS C2048PSSB-IS22-8-SS



C2000 ISLAND LINER



Slim Baffle Filter  
Available on 22" Depth only.

**FEATURES:**

- ◆ Variable Controls
- ◆ Sones: 1.5 to 4.6
- ◆ Filters: Slim Baffle
- ◆ Front Panel Lighting: LED bulb Included.
- ◆ Electrical: 115 AC, 60 Hz, 9 Amps. For proper installation, unit must be hard wired. Suggested use with 15 Amp Circuit.
- ◆ Electrical: 115 AC, 60 Hz, 9 Amps. Suggested use with 15 Amp Circuit
- ◆ Suggested Distance Codes: 36" above cooking surface.

**OPTIONS:**

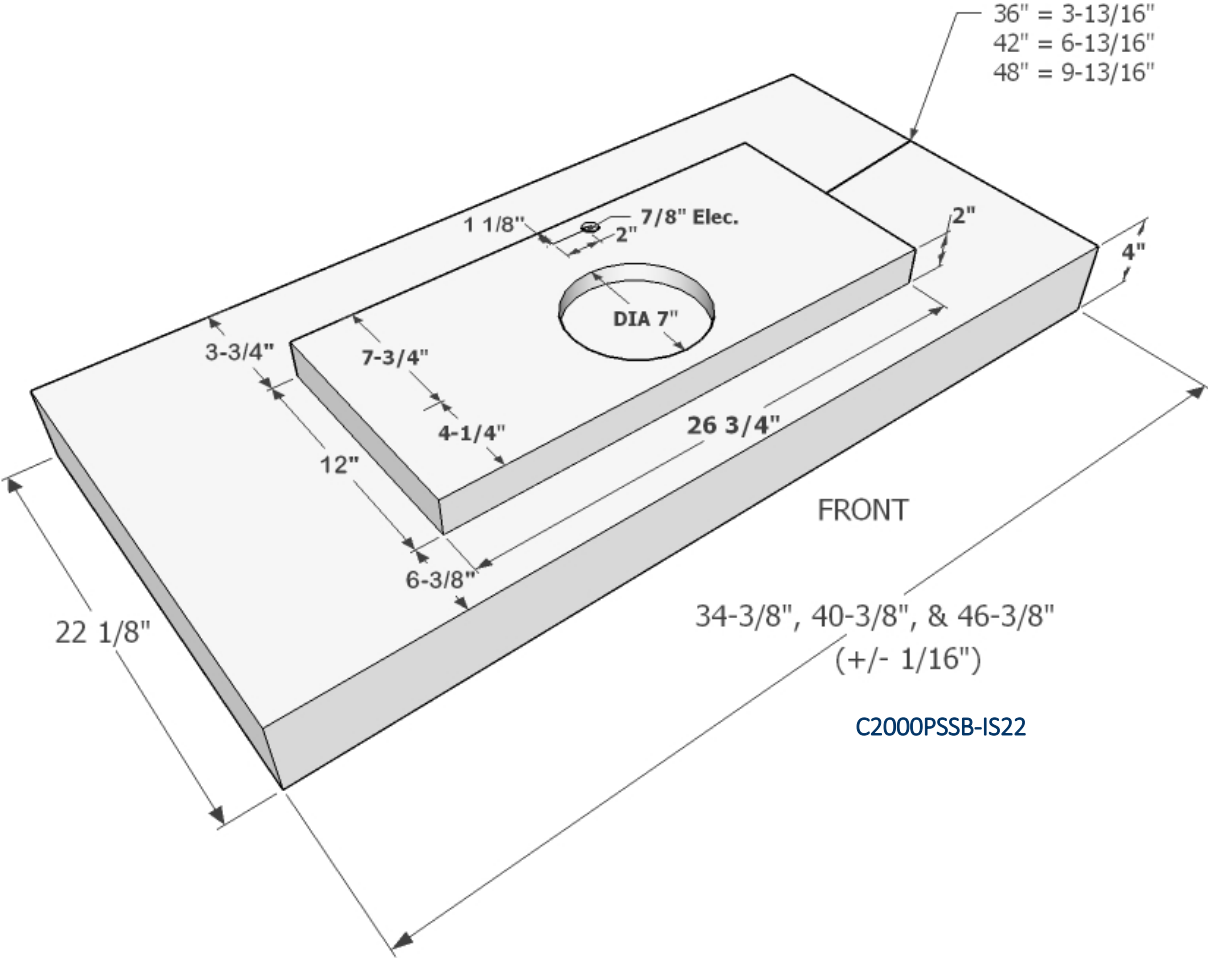
- ◆ Available in 28" Depth.
- ◆ Mesh Filters only on 28" depth.
- ◆ Flange for the perfect fit. See page 39.
- ◆ Remote location wiring, see page 39.
- ◆ Transition, see page 39.

NO Performance Warranty over BBQ Grills/Griddles.

**TRANSITION**

Example: C2036PSSB-IS22-8-SS  
Vent Size 8" Round x 3-1/2" High

# Powered Liner Specifications



Available in 28-1/8" Depth. Call for more information.

**SEVEN YEAR, IN HOME, LIMITED WARRANTY, THE BEST IN THE INDUSTRY!**  
 All dimensions are (+/-) 1/16" and are subject to change. Drawings are not to scale.

32-1/2" Depth, 12" High	MODEL
<ul style="list-style-type: none"> <li>◆ 675± CFM</li> <li>◆ 7" Round Duct</li> </ul> <p>Order duct cover separately from table below at no charge.</p>	ISP1936PSSB-SS ISP1942PSSB-SS ISP1948PSSB-SS  ISP36-STK-SS ISP42-STK-SS ISP48-STK-SS
<ul style="list-style-type: none"> <li>◆ 810± CFM</li> <li>◆ 8" Round Transition</li> </ul> <p>Order duct cover separately from table below at no charge.</p>	ISP1936PSSB-8-SS ISP1942PSSB-8-SS ISP1948PSSB-8-SS  ISP36-STK-SS ISP42-STK-SS ISP48-STK-SS
<ul style="list-style-type: none"> <li>◆ 1370± CFM</li> <li>◆ Two (2) 8" Round Transitions</li> </ul> <p>Order duct cover separately from table below at no charge.</p>	ISP1948PS1-TWSB-8-SS  ISPTW48-STK-SS



ISP1900PSSB

**FEATURES:**

- ◆ 304 Marine Grade Stainless Steel.
- ◆ Variable Controls
- ◆ Sones: 1.5 to 4.6
- ◆ Filters: Slim Baffle
- ◆ Front Panel Lighting: LED bulbs Included.
- ◆ Heat Controlled Thermostat, Fire Safety Controls. Activates at 130 degrees.
- ◆ Electrical: 115 AC, 60 Hz, 9 Amps. For proper installation, unit must be hard wired. Suggested use with 15 Amp Circuit.
- ◆ Suggested Distance Code: 36" above cooking surface.

**OPTIONS:**

- ◆ Angle cut duct covers additional charge. Must provide drawing and dimensions.
- ◆ Remote location wiring, see page 39.
- ◆ Black or White Powder Coat, additional charge.  
Ex: ISP1936PSSB-WH (White)
- ◆ Matte White or Black, additional charge.  
Ex: ISP1936PSSB-MB (Matte Black)  
(NOTE: To clean, use mild soap and warm water)
- ◆ Custom Sizes Available.

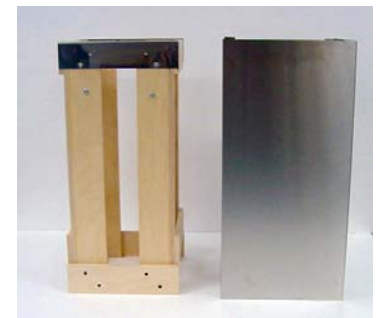
NO Performance Warranty over BBQ Grills/Griddles.

NO Returns on Matte or RAL colors

Seamless Duct Cover & Wood Mounting Frame (Duct Cover Not Telescopic)	
Order by model number below. MUST INDICATE SIZE OF RANGE HOOD. Calculated on mounting height of 36" above cooking surface.	
MODEL—Standard Sizes	CEILING HEIGHT
ISP__-STK-SS-12	12" High for 8' Ceiling
ISP__-STK-SS-24	24" High for 9' Ceiling
ISP__-STK-SS-36	36" High for 10' Ceiling
Twin Model	
ISPTW__-STK-SS-12	12" High for 8' Ceiling
ISPTW__-STK-SS-24	24" High for 9' Ceiling
ISPTW__-STK-SS-36	36" High for 10' Ceiling
MODEL—Custom Size	
ISP-STK-SS = Custom Size Provided at no charge up to 48" High Provide Height: Ex: ISP36-STK-SS-26" Call for Additional charge for duct covers over 48" High.	
Custom Stack Height Calculations—Page 45.	
Call for Immediate Assistance (800) 851-4192	

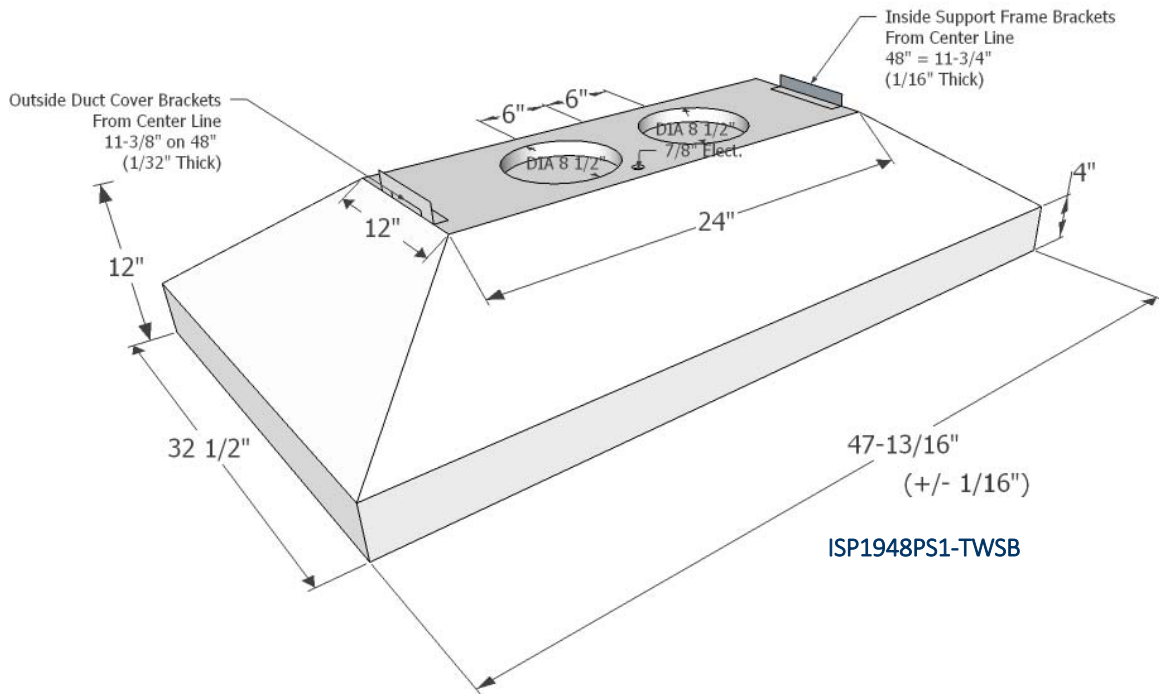
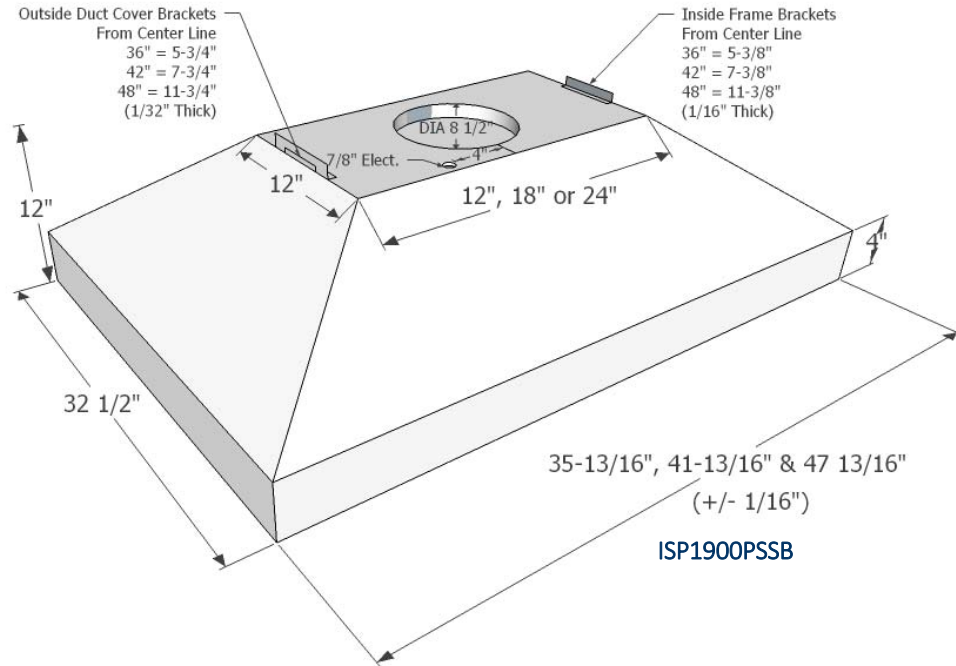


Wood Mounting Frame & Duct Cover—TOP VIEW



Wood Mounting Frame & Duct Cover

# Island Pyramid Specifications



**NOTE: Duct Cover Depth & Width**

**Depth:** 11-5/8" All Sizes

**Width / Single Duct:** 36" = 11-3/4", 42" = 17-3/4", 48" = 23-3/4"

**Width / Twin Duct:** 48" = 23-3/4"

**SEVEN YEAR, IN HOME, LIMITED WARRANTY, THE BEST IN THE INDUSTRY!**

All dimensions are (+/-) 1/16" and are subject to change. Drawings are not to scale.

28" Depth, 6" High	MODEL
<ul style="list-style-type: none"> <li>◆ 675± CFM</li> <li>◆ 7" Round Duct</li> </ul> <p>Order duct cover separately from table below at no charge.</p>	IS1930PSSB-SS IS1936PSSB-SS IS1942PSSB-SS IS1948PSSB-SS  IS-STK-SS
<ul style="list-style-type: none"> <li>◆ 810± CFM</li> <li>◆ 8" Round Transition</li> </ul> <p>Order duct cover separately from table below at no charge.</p>	IS1930PSSB-8-SS IS1936PSSB-8-SS IS1942PSSB-8-SS IS1948PSSB-8-SS  IS-STK-SS
24" Depth, 6" High	MODEL
<ul style="list-style-type: none"> <li>◆ 385± CFM @ 2.5 to 7.6 Sones</li> <li>◆ 7" Round Duct</li> </ul> <p>Order duct cover separately from table below at no charge.</p>	IS1930SD4SB-SS IS1936SD4SB-SS  IS-STK-SS



IS1900PSSB

**FEATURES:**

- ◆ 304 Marine Grade Stainless Steel
- ◆ Variable Controls
- ◆ Sones: 1.5 to 4.6
- ◆ Filters: Slim Baffle
- ◆ Center Panel Lighting: LED bulbs included.
- ◆ Heat Controlled Thermostat, Fire Safety Controlled. Activates at 130 Degrees.
- ◆ Electrical: 115 AC, 60 Hz, 9 Amps. For proper installation, unit must be hard wired. Suggested use with 15 Amp Circuit.
- ◆ Suggested Distance Code: 36" above cooking surface.

**OPTIONS:**

- ◆ Angle cut duct covers additional charge. Must provide drawing and dimensions.
- ◆ Remote location wiring, see page 39.
- ◆ Black or White Powder Coat, additional charge.  
Ex: IS1930PSSB-8-BL (Black)
- ◆ Matte White or Black, additional charge.  
Ex: IS1930PSSB-MB (Matte Black)  
(NOTE: To clean, use mild soap and warm water)
- ◆ Custom Sizes Available.

NO Performance Warranty over BBQ Grills/Griddles.

NO Returns on Matte or RAL colors

**\*Seamless Duct Cover & Wood Mounting Frame  
(Duct Cover Not Telescopic)  
Order by model number below.  
Calculated on mounting height of 36" above cooking surface.**

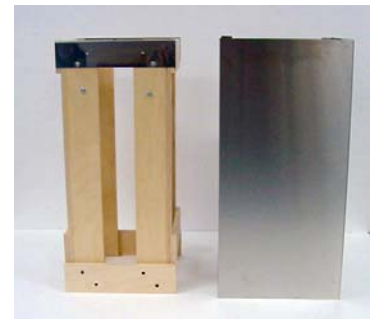
MODEL— Standard Sizes	CEILING HEIGHT
IS-STK-SS-6	6" High for 7' Ceiling
IS-STK-SS-18	18" High for 8' Ceiling
IS-STK-SS-30	30" High for 9' Ceiling

**MODEL—Custom Size**  
 IS-STK-SS = Custom Size Provided at no charge up to 48" High  
 Provide Height: Ex: IS-STK-SS-26"  
 Call for Additional charge for duct covers over 48" High.

Custom Stack Height Calculations—Page 45.  
 Call for Immediate Assistance (800) 851-4192



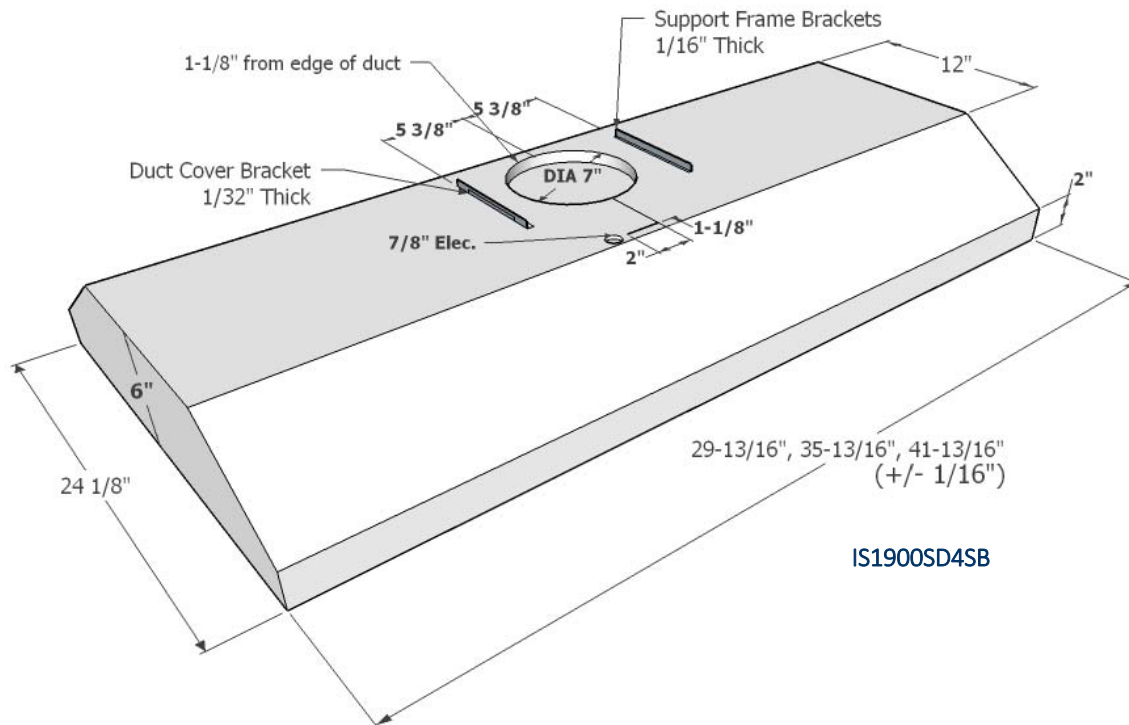
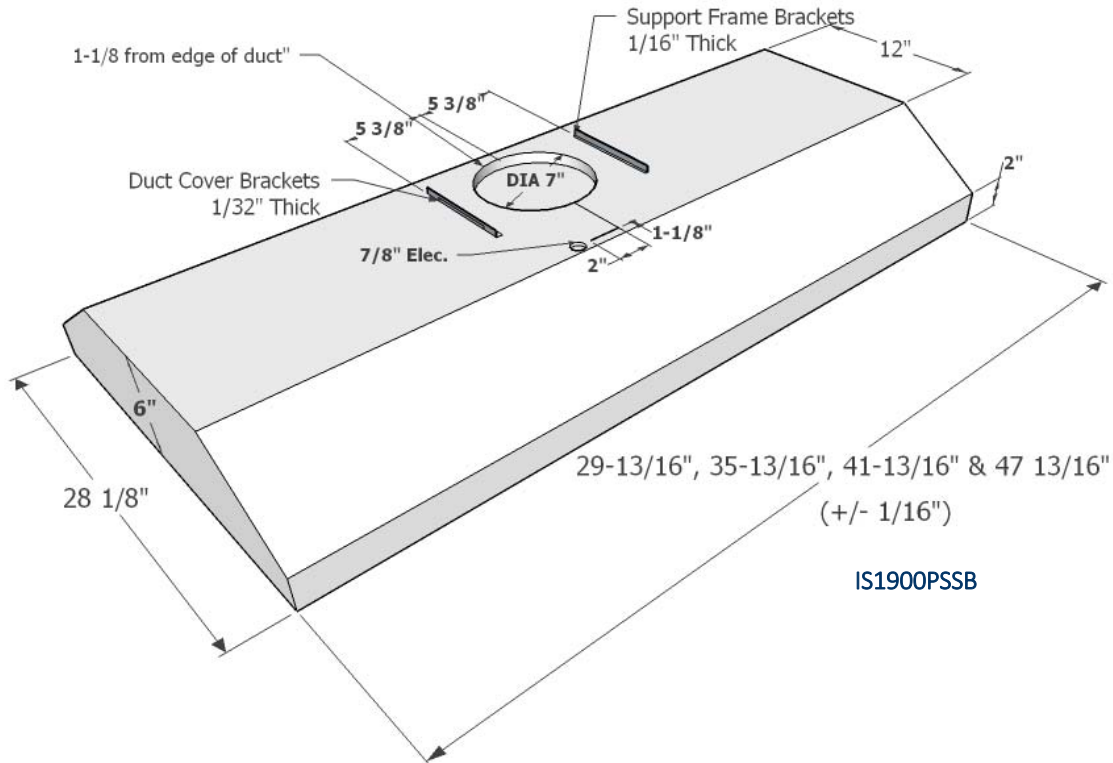
Wood Mounting Frame & Duct Cover—TOP VIEW



Wood Mounting Frame & Duct Cover



# Island Slim Line Specifications



**NOTE: Duct Cover Depth & Width**  
 Single Duct: 11-5/8" D X 11-3/4" W  
 Twin Duct: 11-5/8" D X 23-3/4" W

**SEVEN YEAR, IN HOME, LIMITED WARRANTY, THE BEST IN THE INDUSTRY!**

All dimensions are (+/-) 1/16" and are subject to change. Drawings are not to scale.

28" Depth, 4" High	MODEL
<ul style="list-style-type: none"> <li>◆ 675± CFM</li> <li>◆ 7" Round Duct</li> </ul> <p>Order duct cover separately from table below at no charge.</p>	ISN2036PSSB-SS ISN2042PSSB-SS ISN2048PSSB-SS  ISN-STK-SS
<ul style="list-style-type: none"> <li>◆ 810± CFM</li> <li>◆ 8" Round Transition</li> </ul> <p>Order duct cover separately from table below at no charge.</p>	ISN2036PSSB-8-SS ISN2042PSSB-8-SS ISN2048PSSB-8-SS  ISN-STK-SS
<ul style="list-style-type: none"> <li>◆ 1370± CFM</li> <li>◆ Two (2) 8" Round Transitions</li> </ul> <p>Order duct cover separately from table below at no charge.</p>	ISN2042PS1-TWSB-8-SS ISN2048PS1-TWSB-8-SS  ISNTW-STK-SS



ISN2000PSSB

**FEATURES:**

- ◆ 304 Marine Grade Stainless Steel.
- ◆ Variable Controls
- ◆ Sones: 1.5 to 4.6
- ◆ Filters: Slim Baffle
- ◆ Front /Back Panel Lighting: LED bulbs Included.
- ◆ Heat Controlled Thermostat, Fire Safety Controls. Activates at 130 degrees.
- ◆ Electrical: 115 AC, 60 Hz, 9 Amps. For proper installation, unit must be hard wired. Suggested use with 15 Amp Circuit.
- ◆ Suggested Distance Code: 36" above cooking surface.

**OPTIONS:**

- ◆ Angle cut duct covers additional charge. Must provide drawing and dimensions.
- ◆ Remote location wiring, see page 39.
- ◆ Black or White Powder Coat, additional charge.  
Ex: ISN2036PSSB-WH (White)
- ◆ Matte White or Black, additional charge.  
Ex: ISN2036PSSB-MB (Matte Black)  
(NOTE: To clean, use mild soap and warm water)
- ◆ Custom Sizes Available.

NO Performance Warranty over BBQ Grills/Griddles.

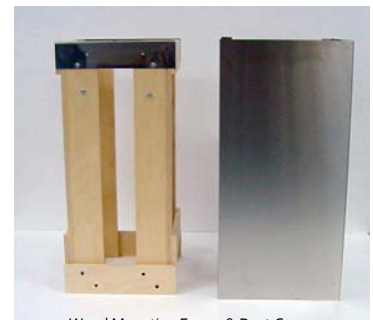
NO Returns on Matte or RAL colors

**Seamless Duct Cover & Wood Mounting Frame**  
(Duct Cover Not Telescopic)  
Order by model number below.  
Calculated on mounting height of 36" above cooking surface.

<u>MODEL</u> —Standard Sizes	<u>CEILING HEIGHT</u>
ISN-STK-SS-8	8" High for 7' Ceiling
ISN-STK-SS-20	20" High for 8' Ceiling
ISN-STK-SS-32	32" High for 9' Ceiling
<b>TWIN UNIT</b>	
ISNTW-STK-SS-8	8" High for 7' Ceiling
ISNTW-STK-SS-20	20" High for 8' Ceiling
ISNTW-STK-SS-32	32" High for 9' Ceiling
<b>MODEL—Custom Size</b>	
ISN-STK-SS = Custom Size Provided at no charge up to 48" High Provide Height: Ex: ISN-STK-SS-26" Call for Additional charge for duct covers over 48" High.	
Custom Stack Height Calculations—Page 45.	
Call for Immediate Assistance (800) 851-4192	



Wood Mounting Frame & Duct Cover—TOP VIEW

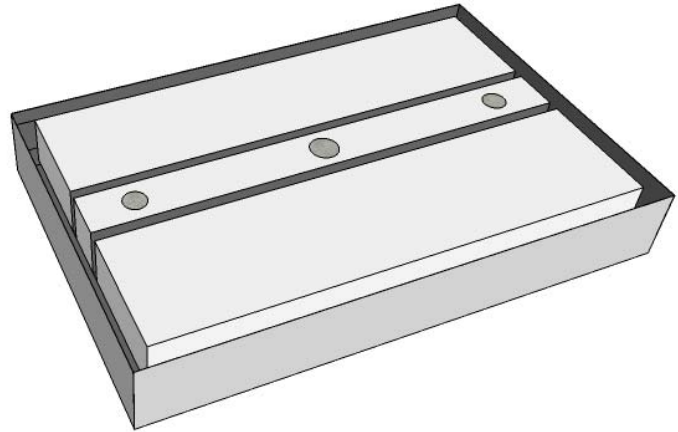


Wood Mounting Frame & Duct Cover





26" Depth, 6" High	MODEL
<ul style="list-style-type: none"> <li>◆ 750+/- CFM</li> <li>◆ 8" Round Transition</li> </ul>	2042PS-IS-8-SS 2054PS-IS-8-SS



Handheld Remote

FEATURES:

- ◆ 304 Marine Grade Stainless Steel
- ◆ Hand held remote control; power and lights. On/Off.
- ◆ Sones: 1.5 to 4.6
- ◆ Filters: Aluminum Mesh
- ◆ Center Panel Lighting: LED bulbs Included.
- ◆ Available in Matte White for an additional charge.  
(NOTE: To clean, use mild soap and warm water)

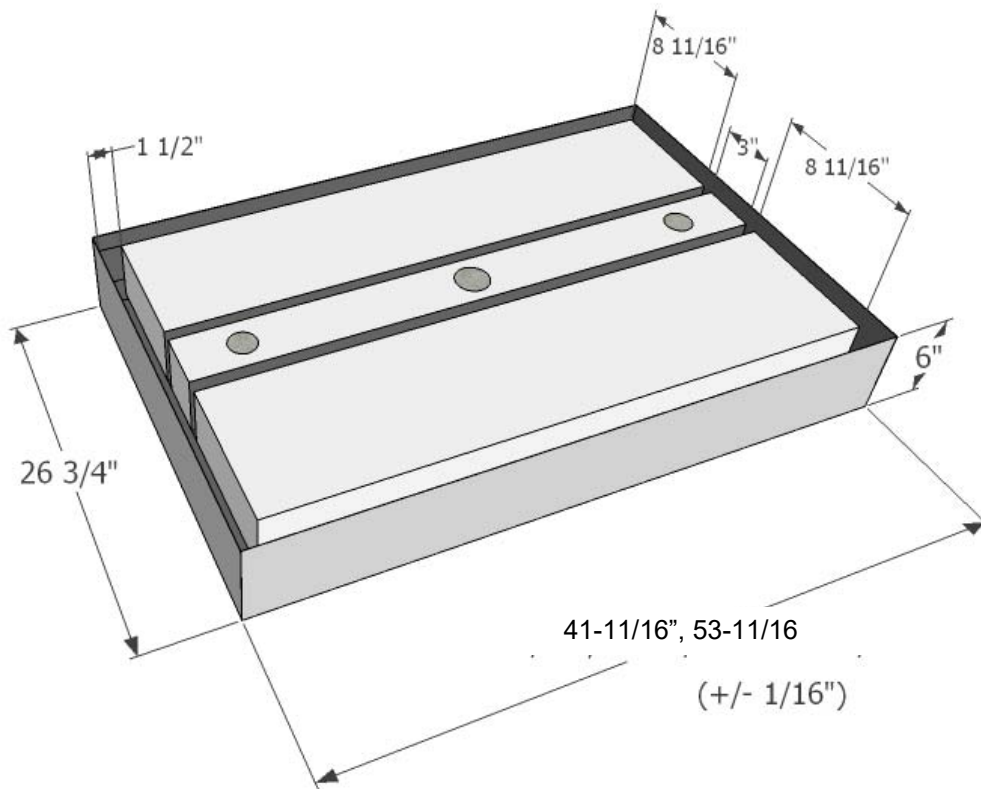
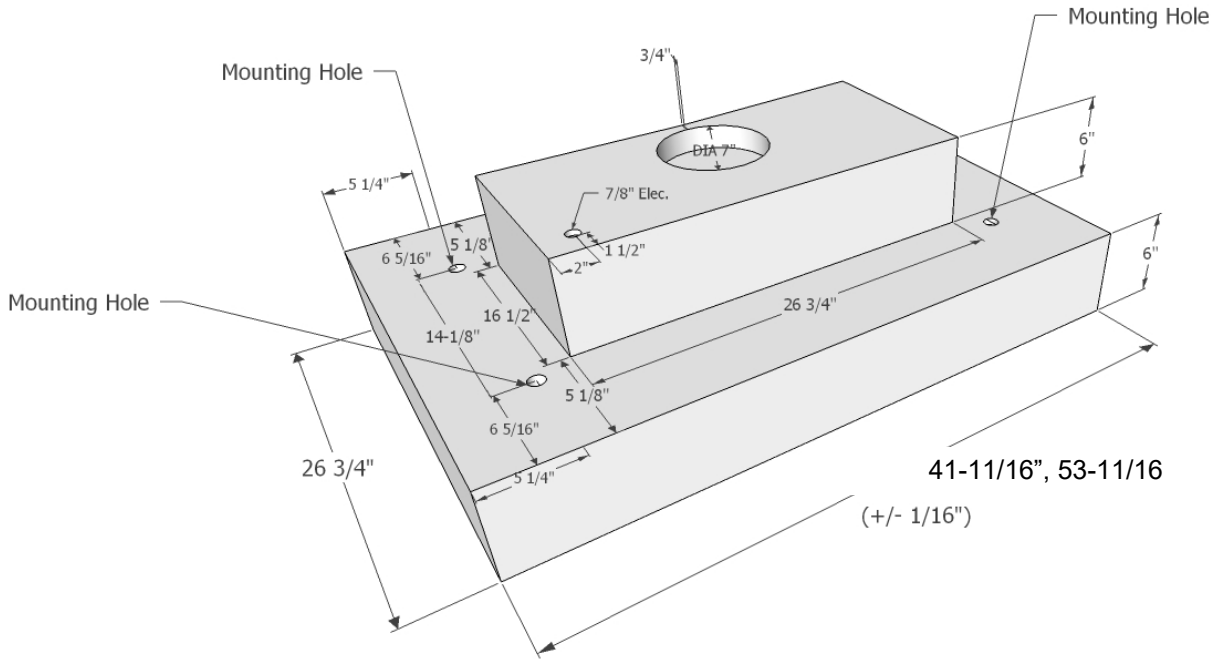
OPTIONS:

- ◆ Custom Sizes Available.

NO Performance Warranty due to variable distances above cooking surface.

NO Returns on Matte or RAL colors

# Ceiling Mount Island Specifications



**SEVEN YEAR, IN HOME, LIMITED WARRANTY, THE BEST IN THE INDUSTRY!**

All dimensions are (+/-) 1/16" and are subject to change. Drawings are not to scale.



<b>24" Depth, 18" High</b>	<b>MODEL</b>
<ul style="list-style-type: none"> <li>◆ 635± CFM</li> <li>◆ 7" Round Duct</li> </ul>	WH1930PSB-SS WH1936PSB-SS WH1942PSB-SS WH1948PSB-SS
<ul style="list-style-type: none"> <li>◆ 765± CFM</li> <li>◆ 8" Round Transition</li> </ul>	WH1930PSB-8-SS WH1936PSB-8-SS WH1942PSB-8-SS WH1948PSB-8-SS
<ul style="list-style-type: none"> <li>◆ 850± CFM</li> <li>◆ 10" Round Transition</li> </ul>	WH1930PSB-K-SS WH1936PSB-K-SS WH1942PSB-K-SS WH1948PSB-K-SS
<ul style="list-style-type: none"> <li>◆ 1295± CFM</li> <li>◆ Two (2) 8" Round Transitions</li> </ul>	WH1936PS1-TWB-8-SS WH1942PS1-TWB-8-SS WH1948PS1-TWB-8-SS
Option: Rear Vented Available. Mesh Filters Only. Ex: WH1900PSR	

### WH1900PSB-32-K—Outdoor Series

<b>32" Depth, 18" High</b>	<b>MODEL</b>
<ul style="list-style-type: none"> <li>◆ 1000 CFM</li> <li>◆ 10" Round Transition</li> </ul>	WH1936PSB-32-K-SS WH1942PSB-32-K-SS WH1948PSB-32-K-SS
<ul style="list-style-type: none"> <li>◆ 1675 CFM</li> <li>◆ Two (2) 10" Round Transitions</li> </ul>	WH1954PSB-TW32-K-SS WH1960PSB-TW32-K-SS



**FEATURES:**

- ◆ 304 Marine Grade Stainless Steel
- ◆ Variable Controls
- ◆ Sones: 1.5 to 4.6
- ◆ Front Panel Lighting: LED Bulbs Included.  
 30" to 48" Hoods take 2 Bulbs (1 Set)  
 54" to 60" Hoods take 4 Bulbs (2 Sets)
- ◆ Heat Controlled Thermostat, Fire Safety Controlled.  
 Activates at 130 degrees. (Not Available on Outdoor Series)
- ◆ Electrical: 115 AC, 60 Hz, 9 Amps. For proper installation, unit must be hard wired. Suggested use with 15 Amp Circuit.
- ◆ Suggested Distance Code: 36" above cooking surface.

**OPTIONS:**

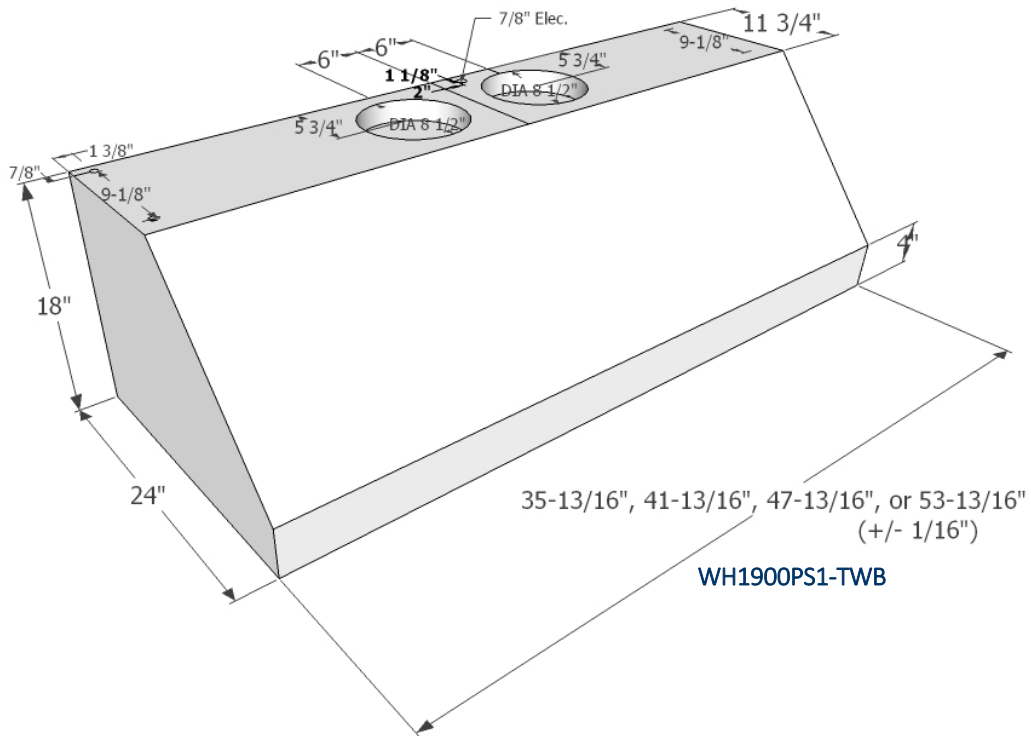
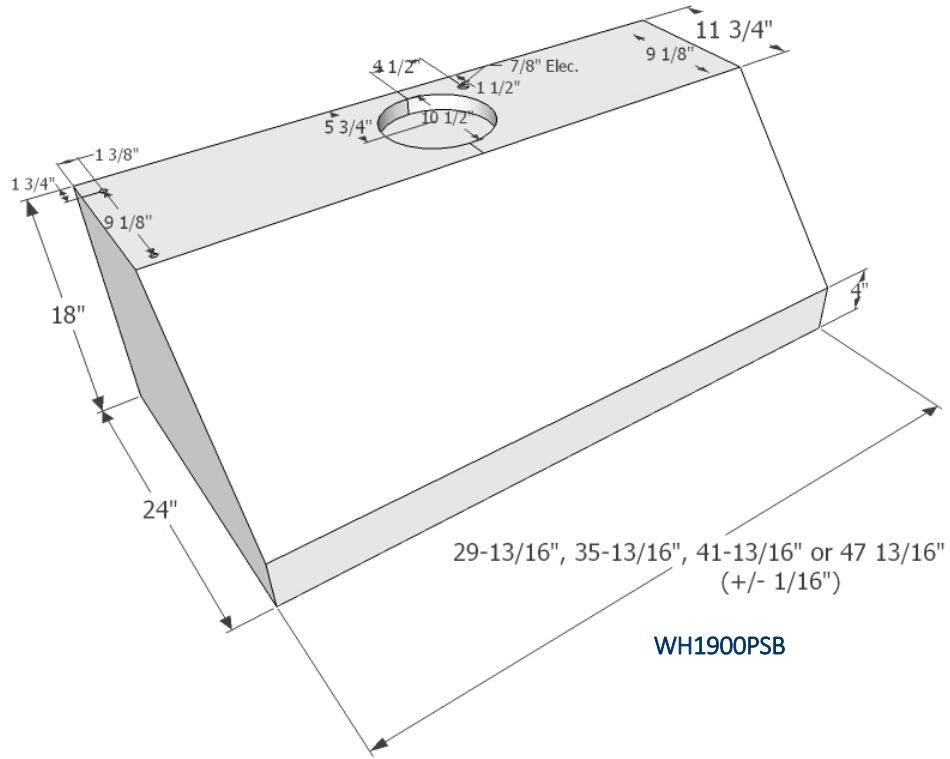
- ◆ Duct covers made to your specifications.  
 Provide Width and Height: Ex: WH-STK-HEIGHT x WIDTH
- ◆ Remote location wiring, see page 39.
- ◆ Custom Sizes Available.

NO Performance Warranty over BBQ Grills/Griddles.

**NO Returns on Matte or RAL colors**



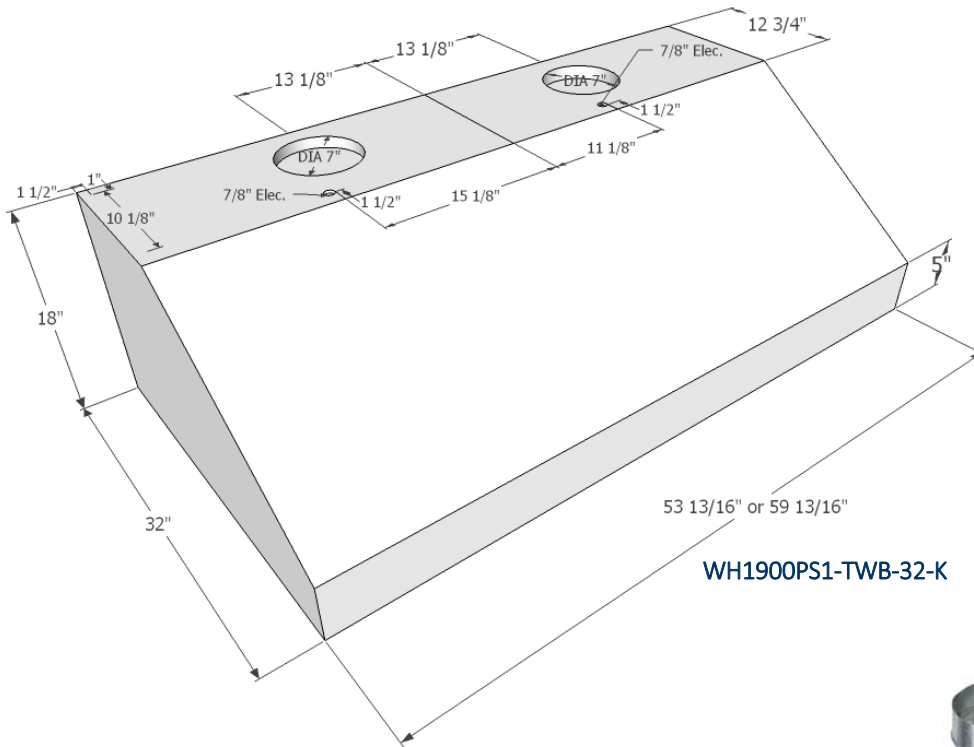
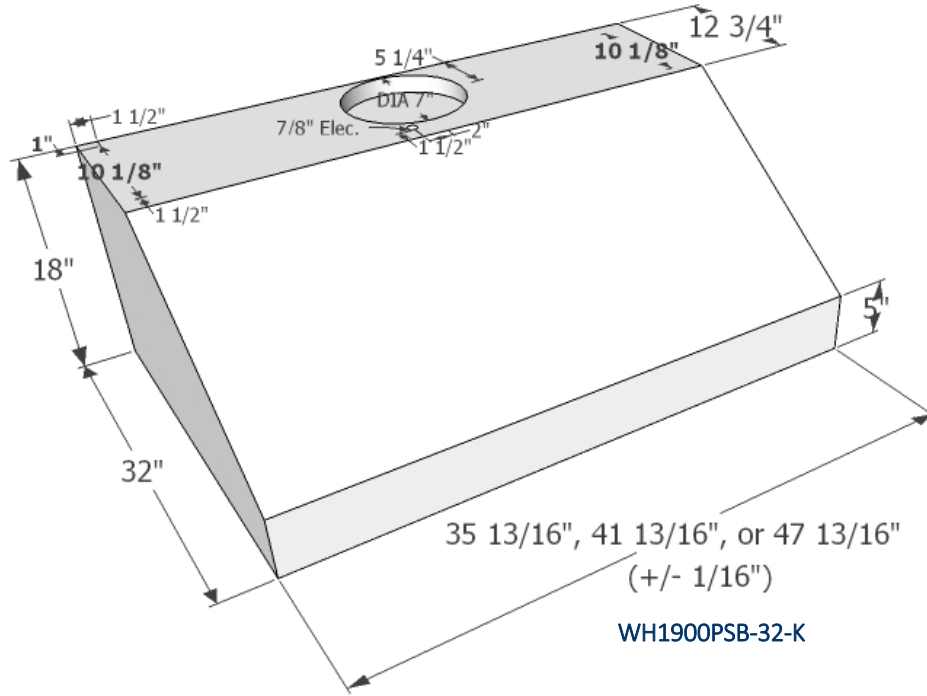
# Wall Mount Specifications



**SEVEN YEAR, IN HOME, LIMITED WARRANTY, THE BEST IN THE INDUSTRY!**

All dimensions are (+/-) 1/16" and are subject to change. Drawings are not to scale.

# Outdoor Wall Mount Specifications



10" Transition  
10" Round x 7-1/2" high  
(INCLUDED)



**SEVEN YEAR, IN HOME, LIMITED WARRANTY, THE BEST IN THE INDUSTRY!**  
All dimensions are (+/-) 1/16" and are subject to change. Drawings are not to scale.



20" Depth, 12" High	MODEL
<ul style="list-style-type: none"> <li>◆ 625± CFM</li> <li>◆ 7" Round Duct</li> </ul> Order duct cover separately from table below at no charge.	WHP1930BP1-SS WHP1936BP1-SS  WHP30-STK-SS WHP36-STK-SS
<ul style="list-style-type: none"> <li>◆ 750± CFM</li> <li>◆ 8" Round Transition</li> </ul> Order duct cover separately from table below at no charge.	WHP1930BP1-8-SS WHP1936BP1-8-SS  WHP30-STK-SS WHP36-STK-SS



WHP1900BP1

Wall Pyramid —WHP1900BP1—Slim Baffle Series

20" Depth, 12" High	MODEL
<ul style="list-style-type: none"> <li>◆ 570± CFM</li> <li>◆ 7" Round Duct</li> </ul> Order duct cover separately from table below at no charge.	WHP1930BP1SB-SS WHP1936BP1SB-SS  WHP30-STK-SS WHP36-STK-SS
<ul style="list-style-type: none"> <li>◆ 675± CFM</li> <li>◆ 8" Round Transition</li> </ul> Order duct cover separately from table below at no charge.	WHP1930BP1SB-8-SS WHP1936BP1SB-8-SS  WHP30-STK-SS WHP36-STK-SS



WHP1900BP1SB

FEATURES:

- ◆ 304 Marine Grade Stainless Steel. Seamless design.
- ◆ Variable Controls.
- ◆ Sones: 1.5 to 4.6.
- ◆ Filters: Aluminum Mesh
- ◆ Filters: Slim Baffle
- ◆ Front Panel Lighting: LED Bulb Included.
- ◆ Electrical: 115 AC, 60 Hz, 9 Amps. For proper installation, unit must be hard wired. Suggested use with 15 Amp Circuit.
- ◆ Suggested Distance Code: 36" above cooking surface.

OPTIONS:

- ◆ Angle cut duct covers additional charge. Must provide drawing and dimensions.
- ◆ Remote location wiring, see page 39.
- ◆ Black or White Powder Coat, additional charge.  
Ex: WHP1930BP1SB-BL (Black)
- ◆ Matte White or Black, additional charge.  
Ex: WHP1930BP1SB-MB (Matte Black)  
(NOTE: To clean, use mild soap and warm water)
- ◆ Custom Sizes Available.

NO Performance Warranty Over BBQ Grill/Griddle.

NO Returns on Matte or RAL colors

\*Duct Cover (Duct Cover Not Telescopic)  
Order by model number below. **MUST INDICATE SIZE OF RANGE HOOD.**  
Calculated on mounting height of 36" above cooking surface.

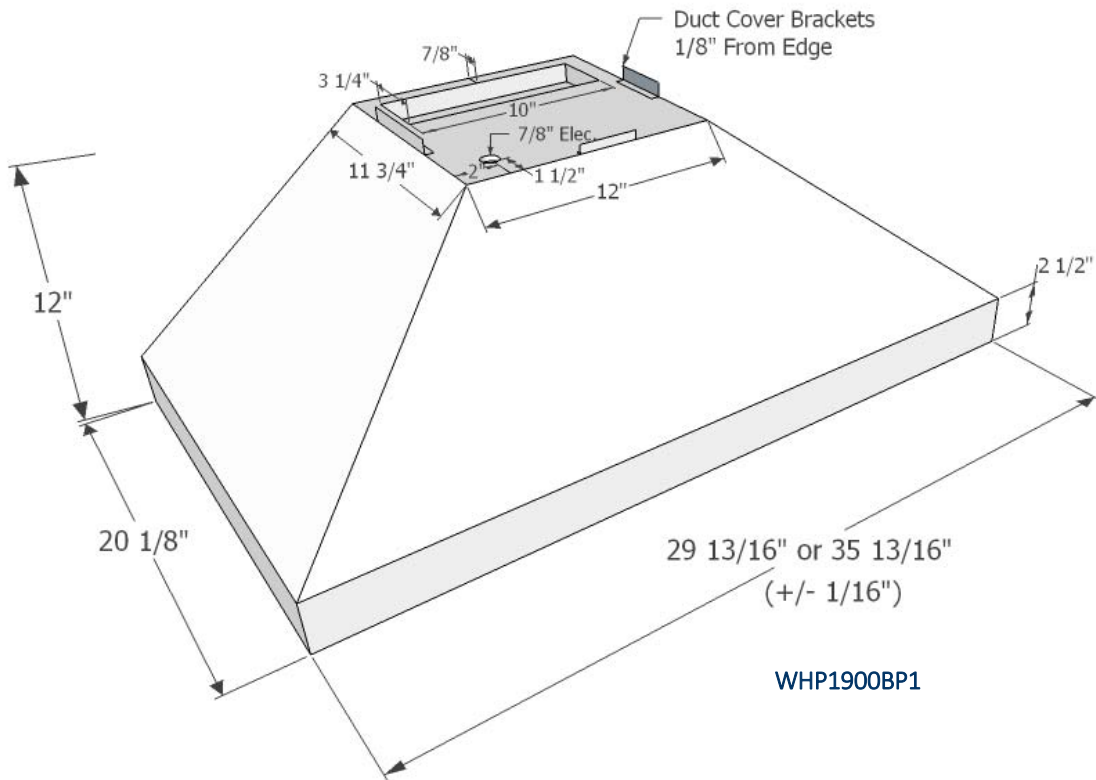
<u>MODEL</u> —Standard Sizes	<u>CEILING HEIGHT</u>
WHP__-STK-SS-12	12" High for 8' Ceiling
WHP__-STK-SS-24	24" High for 9' Ceiling
WHP__-STK-SS-36	36" High for 10' Ceiling

**MODEL**—Custom Size  
WHP36-STK-SS = Custom Size Provided at no charge up to 48" High  
Provide Height: **Ex: WHP36-STK-SS-26"**  
Call for Additional charge for duct covers over 48" High.

Custom Duct Cover Height Calculations—Page 45.  
Call for Immediate Assistance: 800-851-4192



# Wall Pyramid Specifications



NOTE:  
 3" x 10" Rectangle transition to 7" Round.  
 Height = 12" (INCLUDED)  
 Minimum Duct Cover Height 12".

NOTE: Duct Cover Depth & Width  
 11-5/8" D X 11-3/4" W

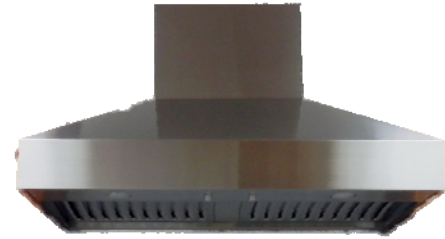
SEVEN YEAR, IN HOME, LIMITED WARRANTY, THE BEST IN THE INDUSTRY!  
 All dimensions are (+/-) 1/16" and are subject to change. Drawings are not to scale.



24" Depth, 14" High	MODEL
◆ 675± CFM ◆ 7" Round Duct Order duct cover separately from table below at no charge.	WHP1936PSSB-SS  WHP36-STK-SS
◆ 810± CFM ◆ 8" Round Transition Order duct cover separately from table below at no charge.	WHP1936PSSB-8-SS  WHP36-STK-SS
◆ 900± CFM ◆ 10" Round Transition Order duct cover separately from table below at no charge.	WHP1936PSSB-K-SS  WHP36-STK-SS



WHP1936PSSB—Slim Baffles



WHP1900PSB—Baffles

24" Depth, 14" High	MODEL
◆ 635± CFM ◆ 7" Round Duct Order duct cover separately from table below at no charge.	WHP1942PSB-SS WHP1948PSB-SS  WHP42-STK-SS WHP48-STK-S
◆ 765± CFM ◆ 8" Round Transition Order duct cover separately from table below at no charge.	WHP1942PSB-8-SS WHP1948PSB-8-SS  WHP42-STK-SS WHP48-STK-SS
◆ 850± CFM ◆ 10" Round Transition Order duct cover separately from table below at no charge.	WHP1942PSB-K-SS WHP1948PSB-K-SS  WHP42-STK-SS WHP48-STK-SS
◆ 1290± CFM ◆ Two (2) 8" Round Transitions Order duct cover separately from table below at no charge.	WHP1948PS1-TWB-8-SS WHP1954PS1-TWB-8-SS  WHPTW48-STK-SS WHPTW-54-STK-SS

\*Duct Cover (Duct Cover Not Telescopic)

Calculated on mounting height of 36" above cooking surface.

**MUST INDICATE SIZE OF RANGE HOOD.**

**MODEL—Standard Sizes**

WHP\_\_-STK-SS-10  
WHP\_\_-STK-SS-22  
WHP\_\_-STK-SS-34  
WHPTW\_\_-STK-SS-10  
WHPTW\_\_-STK-SS-22  
WHPTW\_\_-STK-SS-34

**CEILING HEIGHT**

10" High for 8' Ceiling  
22" High for 9' Ceiling  
34" High for 10' Ceiling  
10" High for 8' Ceiling  
22" High for 9' Ceiling  
34" High for 10' Ceiling

**MODEL—Custom Size**

WHP-STK-SS = Custom Size Provided at no charge up to 48" High  
Provide Height: Ex: **WHP36-STK-SS-26"**  
Call for Additional charge on duct covers over 48" High.

Custom Duct Cover Height Calculations—Page 45.  
Call for Immediate Assistance: 800-851-4192

**FEATURES:**

- ◆ 304 Marine Grade Stainless Steel.
- ◆ Variable Controls.
- ◆ Sones: 1.5 to 4.6
- ◆ Filters: Stainless Steel Baffle
- ◆ Filters: 36" - Slim Baffles
- ◆ Front Panel Lighting: LED Bulbs Included.  
30" to 48" Hoods take 2 Bulbs (1 Set)  
54" Hood takes 4 Bulbs (2 Sets)
- ◆ Heat Controlled Thermostat, Fire Safety Controlled.  
Activates at 130 degrees.
- ◆ Electrical: 115 AC, 60 Hz, 9 Amps. For proper installation, unit must be hard wired. Suggested use with 15 Amp Circuit.
- ◆ Suggested Distance Code: 36" above cooking surface.

**OPTIONS:**

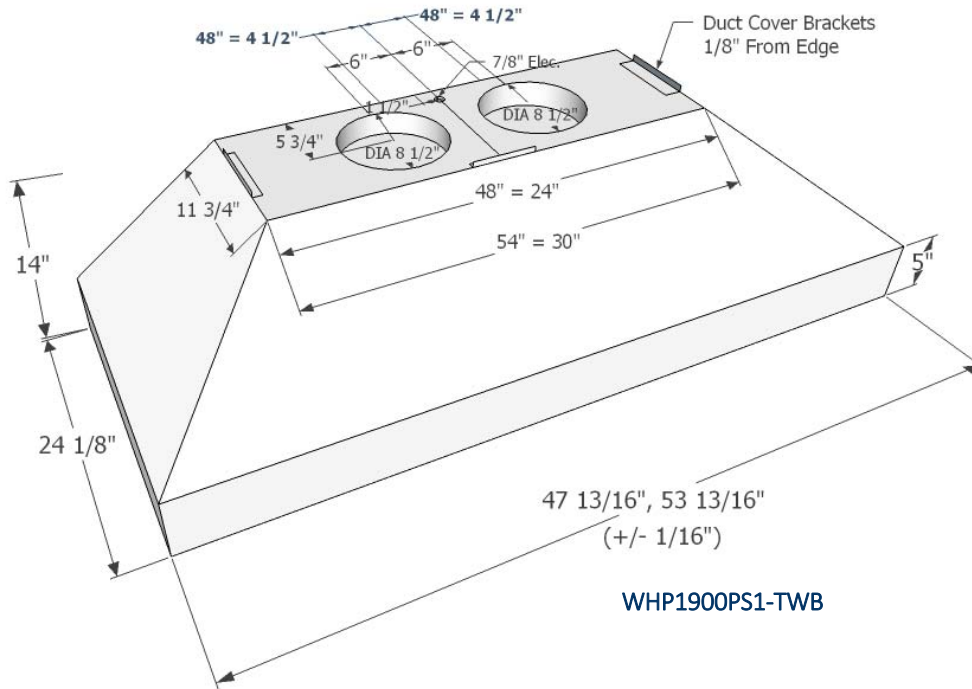
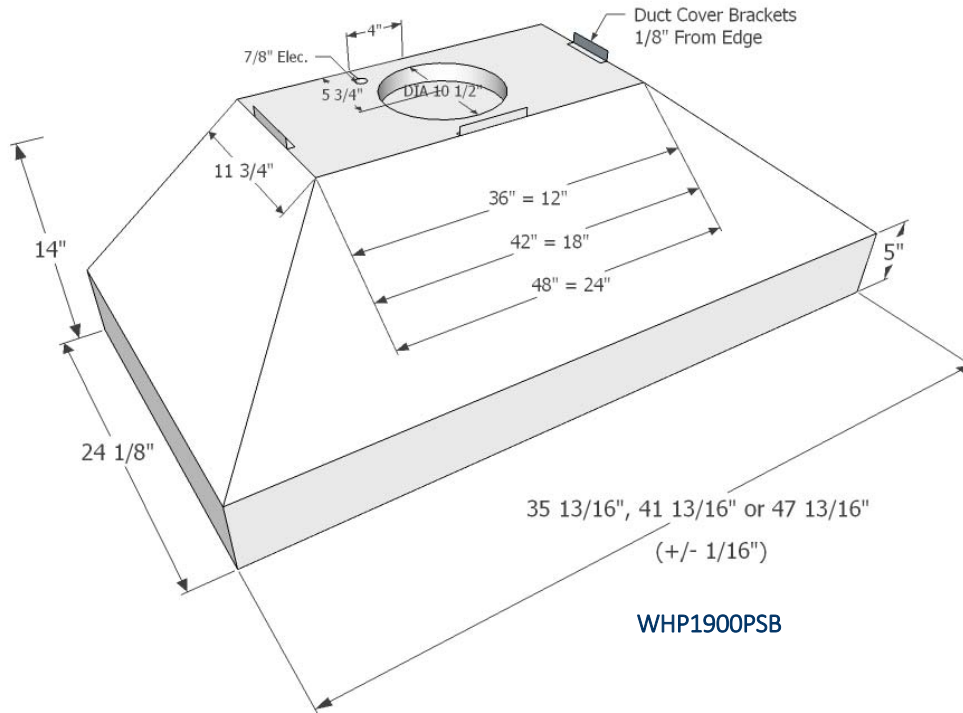
- ◆ Angle cut duct covers additional charge. Must provide drawing and dimensions.
- ◆ Remote location wiring, see page 39.
- ◆ Black or White Powder Coat, additional charge.  
Ex: **WHP1942PSB-8-WH (White)**
- ◆ Matte White or Black, additional charge.  
Ex: **WHP1942PSB-8-MB (Matte Black)**  
(NOTE: To clean, use mild soap and warm water)
- ◆ Custom Sizes Available.

NO Performance Warranty over BBQ Grill/Griddle.

NO Returns on Matte or RAL colors



# Wall Pyramid Specifications



**NOTE: Duct Cover Depth & Width**

**Depth:** 11-5/8" All Sizes

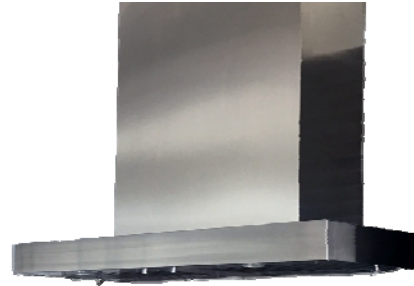
**Width / Single Duct:** 36" = 11-3/4", 42" = 17-3/4", 48" = 23-3/4"

**Width / Twin Duct:** 48" = 23-3/4", 54" = 29-3/4", 60" = 35-3/4"

**SEVEN YEAR, IN HOME, LIMITED WARRANTY, THE BEST IN THE INDUSTRY!**

All dimensions are (+/-) 1/16" and are subject to change. Drawings are not to scale.

24" Depth, 4" High	MODEL
<ul style="list-style-type: none"> <li>◆ 570± CFM</li> <li>◆ 7" Round Duct</li> </ul> <p>Order duct cover separately from table below at no charge.</p>	WHN2030BP1SB-SS WHN2036BP1SB-SS  WHN-STK-SS
<ul style="list-style-type: none"> <li>◆ 675± CFM</li> <li>◆ 7" Round Duct</li> </ul> <p>Order duct cover separately from table below at no charge.</p>	WHN2036PSSB-SS WHN2042PSSB-SS WHN2048PSSB-SS  WHN-STK-SS
<ul style="list-style-type: none"> <li>◆ 810± CFM</li> <li>◆ 8" Round Transition</li> </ul> <p>Order duct cover separately from table below at no charge.</p>	WHN2036PSSB-8-SS WHN2042PSSB-8-SS WHN2048PSSB-8-SS  WHN-STK-SS
<ul style="list-style-type: none"> <li>◆ 1370± CFM</li> <li>◆ Two (2) 8" Round Transitions</li> </ul> <p>Order duct cover separately from table below at no charge.</p>	WHN2042PS1-TWSB-8-SS WHN2048PS1-TWSB-8-SS  WHNTW-STK-SS



WHN2000BP1SB

**FEATURES:**

- ◆ 304 Marine Grade Stainless Steel
- ◆ Variable Controls
- ◆ Sones: 1.5 to 4.6
- ◆ Filters: Slim Baffles
- ◆ Center Panel Lighting: LED Bulbs Included.
- ◆ Heat Controlled Thermostat, Fire Safety Controlled. Activates at 130 degrees.
- ◆ Electrical: 115 AC, 60 Hz, 9 Amps. For proper installation, unit must be hard wired. Suggested use with 15 Amp Circuit.
- ◆ Suggested Distance Code: 36" above cooking surface.

**OPTIONS:**

- ◆ Angle cut duct covers additional charge. Must provide drawing and dimensions.
- ◆ Remote location wiring, see page 39.
- ◆ Black or White Powder Coat, additional charge.  
Ex: WHN2030PSSB-BL (Black)
- ◆ Matte White or Black, additional charge.  
Ex: WHN2030PSSB-MB (Matte Black)  
(NOTE: To clean, use mild soap and warm water)
- ◆ Custom Sizes Available.

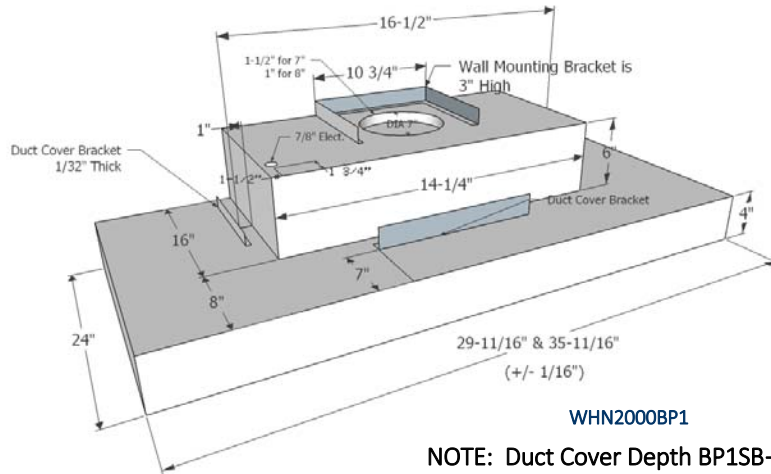
NO Performance Warranty over BBQ Grill/Griddle

NO Returns on Matte or RAL colors

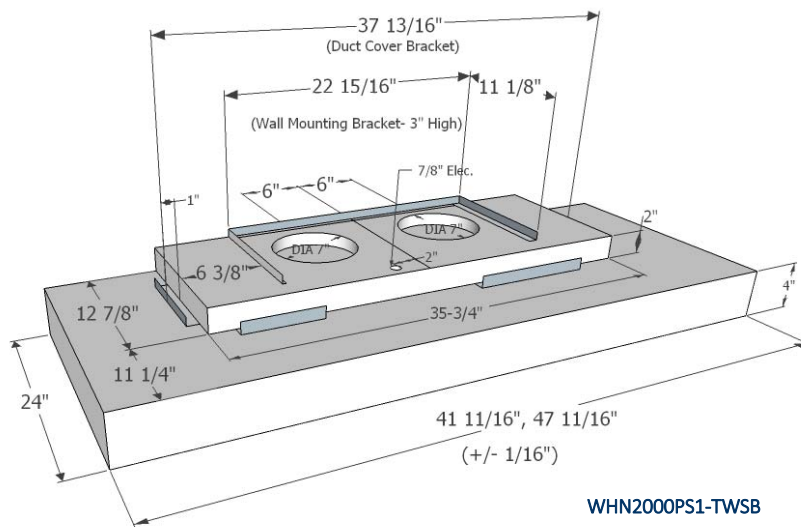
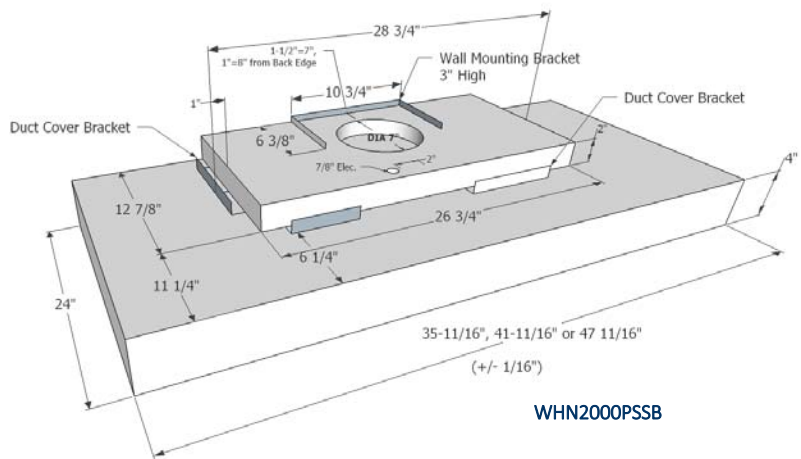
*Duct Cover (Duct Cover Not Telescopic) Order by model number below. Calculated on mounting height of 36" above cooking surface.	
<b>MODEL— Standard Sizes</b>	<b>CEILING HEIGHT</b>
WHN-STK-SS-9-1/2**	9" High for 7' Ceiling
WHN-STK-SS-20	20" High for 8' Ceiling
WHN-STK-SS-32	32" High for 9' Ceiling
<b>TWIN UNITS</b>	
WHNTW-STK-SS-9**	9" High for 7' Ceiling
WHNTW-STK-SS-20	20" High for 8' Ceiling
WHNTW-STK-SS-32	32" High for 9' Ceiling
<b>MODEL—Custom Size</b>	
WHN-STK-SS= Custom Size Provided at no charge up to 48" High Provide Height: Ex: WHN-STK-SS-26" Call for Additional charge for duct covers over 48" High.	
Custom Duct Cover Height Calculations—Page 45. Call for Immediate Assistance: 800-851-4192	
**Min. Duct Cover Height on 7' ceiling only is 9" with mounting height would be 35" above cooking surface.	



# Contemporary Slim Wall Specifications



Min. Duct Cover Height on 7' ceiling is 9-1/2" with mounting height of 35" above cooking surface.



**NOTE: Duct Cover Depth 13-7/8" - Minimum Duct Cover Height: 5".**

**SEVEN YEAR, IN HOME, LIMITED WARRANTY, THE BEST IN THE INDUSTRY!**

All dimensions are (+/-) 1/16" and are subject to change. Drawings are not to scale.

22" Depth, 10" High Mesh Filters	MODEL
<ul style="list-style-type: none"> <li>◆ 750± CFM</li> <li>◆ 7" Round Duct</li> </ul>	1930PS-10-SS 1936PS-10-SS 1942PS-10-SS 1948PS-10-SS
<ul style="list-style-type: none"> <li>◆ 900± CFM</li> <li>◆ 8" Round Transition</li> </ul>	1930PS-10-8-SS 1936PS-10-8-SS 1942PS-10-8-SS 1948PS-10-8-SS



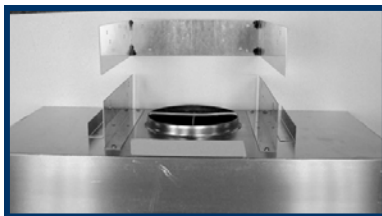
1900PS-10



1900PSB-10

### Select 10—Baffle Filters

22" Depth, 10" High	MODEL
<ul style="list-style-type: none"> <li>◆ 635± CFM</li> <li>◆ 7" Round Duct</li> </ul>	1930PSB-10-SS 1936PSB-10-SS 1942PSB-10-SS 1948PSB-10-SS
<ul style="list-style-type: none"> <li>◆ 765± CFM</li> <li>◆ 8" Round Transition</li> </ul>	1930PSB-10-8-SS 1936PSB-10-8-SS 1942PSB-10-8-SS 1948PSB-10-8-SS



**NOTE:** Mounting Brackets for Wall Mount Application.

**MUST** indicate "wall mount" at the time of order.

#### FEATURES:

- ◆ 304 Marine Grade Stainless Steel.
- ◆ Variable Controls.
- ◆ Sones: 1.5 to 4.6
- ◆ Filters: Aluminum Mesh or Stainless Steel Baffles
- ◆ Lighting Mesh Filters: Center Panel LED Bulbs Included.
- ◆ Lighting Baffle Filters: Front Panel LED Bulbs Included.
- ◆ Heat Controlled Thermostat, Fire Safety Controlled. Activates at 130 degrees.
- ◆ Electrical: 115 AC, 60 Hz, 9 Amps. For proper installation, unit must be hard wired. Suggested use with 15 Amp Circuit.
- ◆ Suggested Distance Code: 36" above cooking surface.

#### OPTIONS:

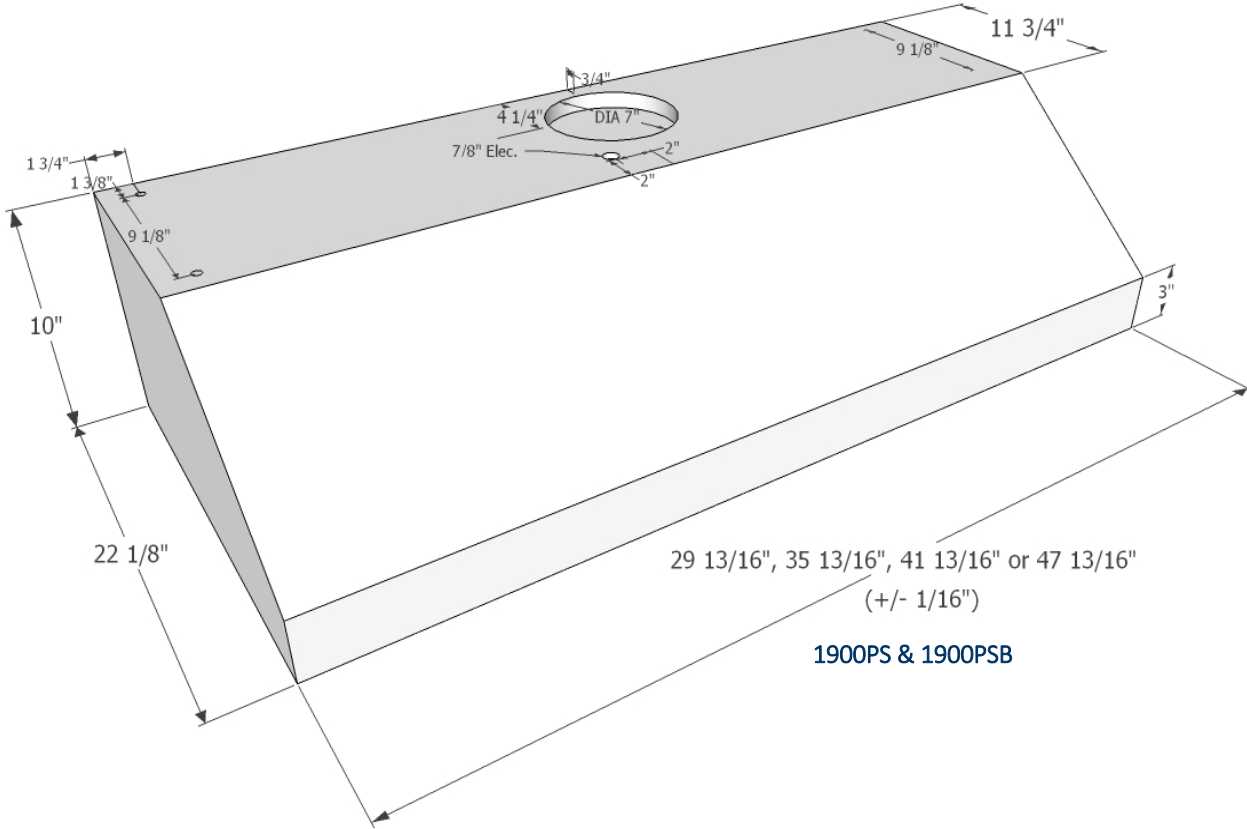
- ◆ Duct covers made to your specifications  
Provide Width and Height  
Brackets will be installed to allow unit to be wall mounted.
- ◆ Black or White Powder Coat, additional charge.  
Ex: 1930PS-10-WH (White)
- ◆ Matte White or Black, additional charge.  
Ex: 1930PS-10-MB (Matte Black)  
(NOTE: To clean, use mild soap and warm water)
- ◆ Remote location wiring, see page 39.

NO Performance Warranty over BBQ Grills/Griddle.

NO Returns on Matte or RAL colors



# Select 10 Specifications



**SEVEN YEAR, IN HOME, LIMITED WARRANTY, THE BEST IN THE INDUSTRY!**  
 All dimensions are  $(\pm) 1/16$ " and are subject to change. Drawings are not to scale.



18" Depth, 6" High	MODEL Stainless	MODEL (Choose Color)
<ul style="list-style-type: none"> <li>◆ 360± CFM @ 2.5 to 4.9 Sones</li> <li>◆ 7" Round Duct</li> </ul>	N1930SD2-SS N1936SD2-SS N1942SD2-SS N1948SD2-SS	N1930SD2-BL or WH N1936SD2-BL or WH N1942SD2-BL or WH N1948SD2-BL or WH
<ul style="list-style-type: none"> <li>◆ 425± CFM @ 2.5 to 4.9 Sones</li> <li>◆ 7" Round Duct</li> <li>◆ Majority of airflow is on the right side.</li> </ul>	N1930T-SS N1936T-SS N1942T-SS	N1930T-BL or WH N1936T-BL or WH N1942T-BL or WH
<ul style="list-style-type: none"> <li>◆ 635± CFM @ 1.5 to 4.6 Sones</li> <li>◆ 7" Round Duct</li> </ul>	N1930BP1-SS N1936BP1-SS N1942BP1-SS	N1930BP1-BL or WH N1936BP1-BL or WH N1942BP1-BL or WH
<ul style="list-style-type: none"> <li>◆ 735± CFM @ 1.5 to 4.6 Sones</li> <li>◆ 7" Round Duct</li> </ul>	N1930BP-SS N1936BP-SS N1942BP-SS N1948BP-SS	N1930BP-BL or WH N1936BP-BL or WH N1942BP-BL or WH N1948BP-BL or WH
<ul style="list-style-type: none"> <li>◆ 900± CFM @ 1.5 to 4.6 Sones</li> <li>◆ 8" Round Transition</li> </ul>	N1930BP-8-SS N1936BP-8-SS N1942BP-8-SS N1948BP-8-SS	N1930BP-8-BL or WH N1936BP-8-BL or WH N1942BP-8-BL or WH N1948BP-8-BL or WH
22" Depth, 6" High	MODEL Stainless	MODEL (Choose Color)
<ul style="list-style-type: none"> <li>◆ 750± CFM @ 1.5 to 4.6 Sones</li> <li>◆ 7" Round Duct</li> </ul>	N1930PS-SS N1936PS-SS N1942PS-SS N1948PS-SS	N1930PS-BL or WH N1936PS-BL or WH N1942PS-BL or WH N1948PS-BL or WH
<ul style="list-style-type: none"> <li>◆ 900± CFM @ 1.5 to 4.6 Sones</li> <li>◆ 8" Round Transition</li> </ul>	N1930PS-8-SS N1936PS-8-SS N1942PS-8-SS N1948PS-8-SS	N1930PS-8-BL or WH N1936PS-8-BL or WH N1942PS-8-BL or WH N1948PS-8-BL or WH



N1900BP-SS



N1900SD2-BL



N1900T-WH

#### FEATURES:

- ◆ 304 Marine Grade Stainless Steel.
- ◆ Variable or Rocker Controls.
- ◆ Filters: Aluminum Mesh
- ◆ Center Panel Lighting: LED bulbs included.
- ◆ Heat Controlled Thermostat, Fire Safety Controlled. Activates at 130 degrees. (Not available on T or SD2).
- ◆ Electrical: 115 AC, 60 Hz, 9 Amps. For proper installation, unit must be hard wired. Suggested use with 15 Amp Circuit.
- ◆ Suggested Distance Code: 36" above cooking surface. SD2 can be mounted at 30" above cooking surface.

#### OPTIONS:

- ◆ Matte White or Black, additional charge.  
Ex: N1930BP1-MB (Matte Black) (NOTE: To clean, use mild soap and warm water)

- ◆ Remote location wiring, see page 39.

**NO Returns on Matte or RAL colors**

**Specification Page: 32-33**



<b>18" Depth, 6" High</b>	<b>MODEL Stainless</b>	<b>MODEL (Choose Color)</b>
<ul style="list-style-type: none"> <li>◆ 325± CFM @ 2.5 to 4.9 Sones</li> <li>◆ 7" Round Duct</li> </ul>	N1930SD2SB-SS N1936SD2SB-SS N1942SD2SB-SS N1948SD2SB-SS	N1930SD2SB-BL or WH N1936SD2SB-BL or WH N1942SD2SB-BL or WH N1948SD2SB-BL or WH
<ul style="list-style-type: none"> <li>◆ 385± CFM @ 2.5 to 4.9 Sones</li> <li>◆ 7" Round Duct</li> <li>◆ Majority of airflow is on the right side.</li> </ul>	N1930TSB-SS N1936TSB-SS N1942TSB-SS	N1930TSB-BL or WH N1936TSB-BL or WH N1942TSB-BL or WH
<ul style="list-style-type: none"> <li>◆ 570± CFM @ 1.5 to 4.6 Sones</li> <li>◆ 7" Round Duct</li> </ul>	N1930BP1SB-SS N1936BP1SB-SS N1942BP1SB-SS	N1930BP1SB-BL or WH N1936BP1SB-BL or WH N1942BP1SB-BL or WH
<ul style="list-style-type: none"> <li>◆ 660± CFM @ 1.5 to 4.6 Sones</li> <li>◆ 7" Round Duct</li> </ul>	N1930BPSB-SS N1936BPSB-SS N1942BPSB-SS N1948BPSB-SS	N1930BPSB-BL or WH N1936BPSB-BL or WH N1942BPSB-BL or WH N1948BPSB-BL or WH
<ul style="list-style-type: none"> <li>◆ 790± CFM @ 1.5 to 4.6 Sones</li> <li>◆ 8" Round Transition</li> </ul>	N1930BPSB-8-SS N1936BPSB-8-SS N1942BPSB-8-SS N1948BPSB-8-SS	N1930BPSB-8-BL or WH N1936BPSB-8-BL or WH N1942BPSB-8-BL or WH N1948BPSB-8-BL or WH
<b>22" Depth, 6" High</b>	<b>MODEL Stainless</b>	<b>MODEL (Choose Color)</b>
<ul style="list-style-type: none"> <li>◆ 675± CFM @ 1.5 to 4.6 Sones</li> <li>◆ 7" Round Duct</li> </ul>	N1930PSSB-SS N1936PSSB-SS N1942PSSB-SS N1948PSSB-SS	N1930PSSB-BL or WH N1936PSSB-BL or WH N1942PSSB-BL or WH N1948PSSB-BL or WH
<ul style="list-style-type: none"> <li>◆ 810± CFM @ 1.5 to 4.6 Sones</li> <li>◆ 8" Round Transition</li> </ul>	N1930PSSB-8-SS N1936PSSB-8-SS N1942PSSB-8-SS N1948PSSB-8-SS	N1930PSSB-8-BL or WH N1936PSSB-8-BL or WH N1942PSSB-8-BL or WH N1948PSSB-8-BL or WH



**N1900BPSB**

**FEATURES:**

- ◆ 304 Marine Grade Stainless Steel.
- ◆ Variable or Rocker Controls.
- ◆ Filters: Slim Baffle
- ◆ Center Panel Lighting: LED bulbs included.
- ◆ Heat Controlled Thermostat, Fire Safety Controlled. Activates at 130 degrees. (Not available on T or SD2).
- ◆ Electrical: 115 AC, 60 Hz, 9 Amps. For proper installation, unit must be hard wired. Suggested use with 15 Amp Circuit.
- ◆ Suggested Distance Code: 36" above cooking surface. SD2 can be mounted at 30" above cooking surface.

**OPTIONS:**

- ◆ Matte Black, additional charge.  
Ex: N1930BP1SB-MB (Matte Black) (NOTE: To clean, use mild soap and warm water)

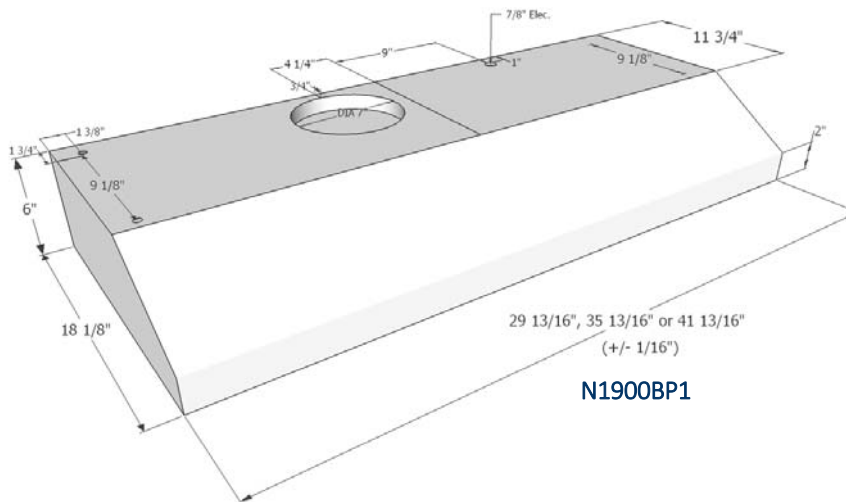
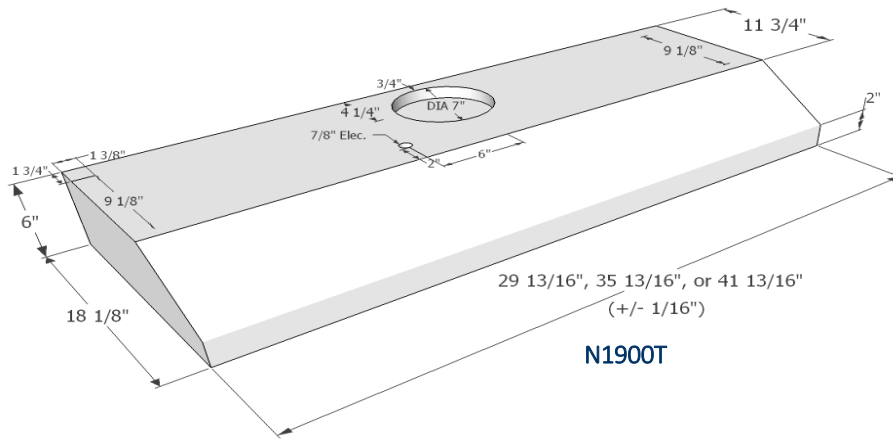
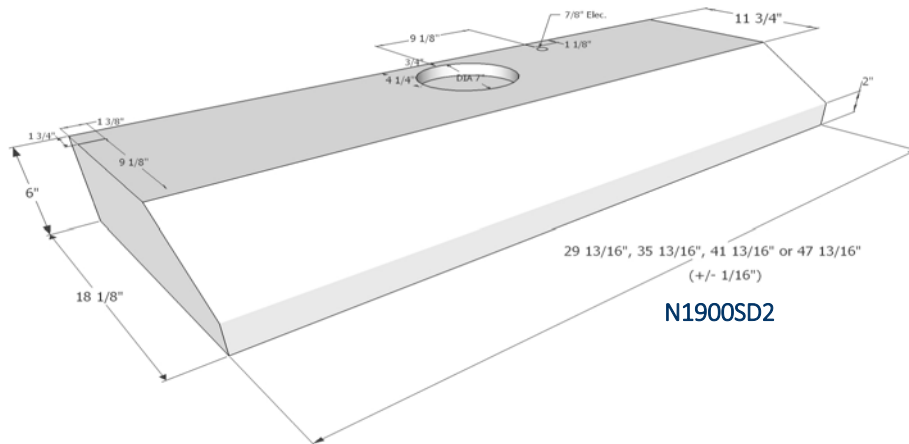
- ◆ Remote location wiring, see page 39.

**NO Returns on Matte or RAL colors**

**Specification Page: 32-33**

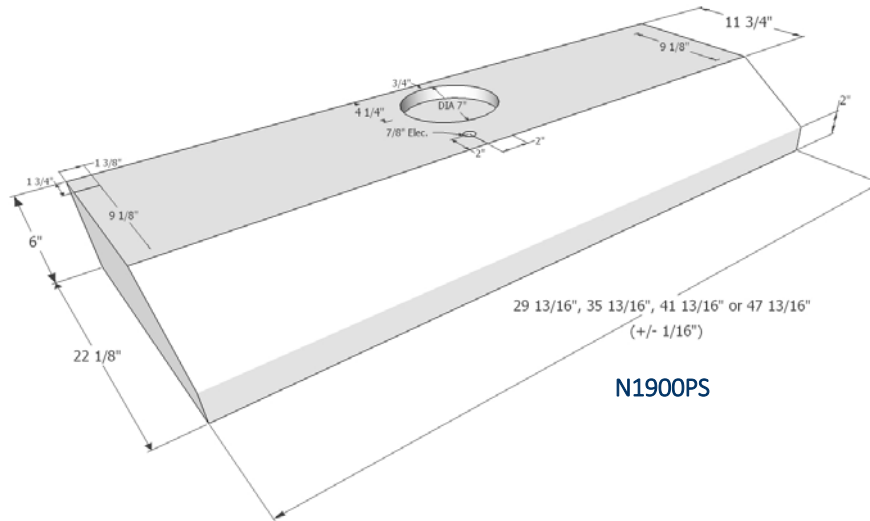
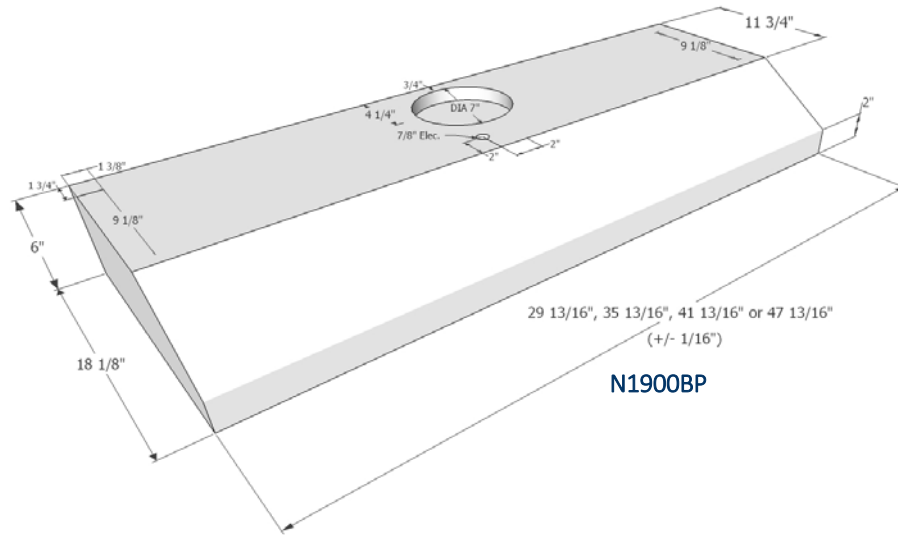


# Under Cabinet Slim Line Specifications



**SEVEN YEAR, IN HOME, LIMITED WARRANTY, THE BEST IN THE INDUSTRY!**  
All dimensions are (+/-) 1/16" and are subject to change. Drawings are not to scale.

# Under Cabinet Slim Line Specifications



**SEVEN YEAR, IN HOME, LIMITED WARRANTY, THE BEST IN THE INDUSTRY!**

All dimensions are (+/-) 1/16" and are subject to change. Drawings are not to scale.

<b>11" High, Drawer Extends to 22" Depth</b>	<b>MODEL</b> White or Black Front Panel	<b>MODEL</b> Stainless Front Panel
<ul style="list-style-type: none"> <li>◆ 635± CFM @ 1.5 to 4.6 Sones</li> <li>◆ 7" Round Duct, 4.25" Off Center</li> </ul>	<b>WHITE PANEL</b> G3030PS1-WH G3036PS1-WH G3042PS1-WH <b>BLACK PANEL</b> G3030PS1-BL G3036PS1-BL G3042PS1-BL	<b>WHITE BODY / STAINLESS PANEL</b> G3030PS1-WH-SS G3036PS1-WH-SS G3042PS1-WH-SS <b>BLACK BODY / STAINLESS PANEL</b> G3030PS1-BL-SS G3036PS1-BL-SS G3042PS1-BL-SS
<ul style="list-style-type: none"> <li>◆ 760± CFM @ 1.5 to 4.6 Sones</li> <li>◆ 8" Round Transition 4.25" Off Center</li> </ul>	<b>WHITE PANEL</b> G3030PS1-8-WH G3036PS1-8-WH G3042PS1-8-WH <b>BLACK PANEL</b> G3030PS1-8-BL G3036PS1-8-BL G3042PS1-8-BL	<b>WHITE BODY / STAINLESS PANEL</b> G3030PS1-8-WH-SS G3036PS1-8-WH-SS G3042PS1-8-WH-SS <b>BLACK BODY / STAINLESS PANEL</b> G3030PS1-8-BL-SS G3036PS1-8-BL-SS G3042PS1-8-BL-SS
<b>6" High, Drawer Extends to 18" Depth</b>	<b>MODEL</b> White or Black Front Panel	<b>MODEL</b> Stainless Front Panel
<ul style="list-style-type: none"> <li>◆ 430± CFM @ 2.5 to 7.6 Sones</li> <li>◆ 7" Round Duct</li> </ul>	<b>WHITE PANEL</b> G3030SD4-WH G3036SD4-WH G3042SD4-WH G3048SD4-WH <b>BLACK PANEL</b> G3030SD4-BL G3036SD4-BL G3042SD4-BL G3048SD4-BL	<b>WHITE BODY / STAINLESS PANEL</b> G3030SD4-WH-SS G3036SD4-WH-SS G3042SD4-WH-SS G3048SD4-WH-SS <b>BLACK BODY / STAINLESS PANEL</b> G3030SD4-BL-SS G3036SD4-BL-SS G3042SD4-BL-SS G3042SD8-BL-SS
<ul style="list-style-type: none"> <li>◆ 360± CFM @ 2.5 to 4.9 Sones</li> <li>◆ 7" Round Duct</li> </ul>	<b>WHITE PANEL</b> G3030SD2-WH G3036SD2-WH G3042SD2-WH <b>BLACK PANEL</b> G3030SD2-BL G3036SD2-BL G3042SD2-BL	<b>WHITE BODY / STAINLESS PANEL</b> G3030SD2-WH-SS G3036SD2-WH-SS G3042SD2-WH-SS <b>BLACK BODY / STAINLESS PANEL</b> G3030SD2-BL-SS G3036SD2-BL-SS G3042SD2-BL-SS



G3000SD4-WH-SS

**FEATURES:**

- ◆ Variable or Rocker Controls.
- ◆ Lighting: 75 Watt Max Incandescent. (Not Included)
- ◆ Filters: Aluminum Mesh
- ◆ Heat Controlled Thermostat, Fire Safety Controlled. Activates at 130 degrees. (On PS1 model only).
- ◆ Suggested Distance Code: 36" above cooking surface. SD2 can be mounted at 30".
- ◆ Electrical: 115 AC, 60 Hz, 9 Amps. For proper installation, unit must be hard wired. Suggested use with 15 Amp Circuit.
- ◆ Installation: Included Mounting Screws.

11" High, Drawer Extends to 22" Depth	MODEL
<ul style="list-style-type: none"> <li>◆ 635± CFM @ 1.5 to 4.6 Sones</li> <li>◆ 7" Round Duct, 4.25" Off Center</li> <li>◆ Hood Body: WH=White, BL=Black</li> <li>◆ Wood Front Ready. Wood Front Provided by Home Owner.</li> </ul>	<p><b>WHITE</b>            3030PS1-WH            3036PS1-WH            3042PS1-WH</p> <p><b>BLACK</b>            3030PS1-BL            3036PS1-BL            3042PS1-BL</p>
<ul style="list-style-type: none"> <li>◆ 760± CFM @ 1.5 to 4.6 Sones</li> <li>◆ 8" Round Transition, 4.25" Off Center</li> <li>◆ Hood Body: WH=White, BL=Black</li> <li>◆ Wood Front Ready. Wood Front Provided by Home Owner.</li> </ul>	<p><b>WHITE</b>            3030PS1-8-WH            3036PS1-8-WH            3042PS1-8-WH</p> <p><b>BLACK</b>            3030PS1-8-BL            3036PS1-8-BL            3042PS1-8-BL</p>
6" High, Drawer Extends to 18" Depth	MODEL
<ul style="list-style-type: none"> <li>◆ 430± CFM @ 2.5 to 7.6 Sones</li> <li>◆ 7" Round Duct</li> <li>◆ Hood Body: WH=White, BL=Black</li> <li>◆ Wood Front Ready. Wood Front Provided by Home Owner.</li> </ul>	<p><b>WHITE</b>            3030SD4-WH            3036SD4-WH            3042SD4-WH            3048SD4-WH</p> <p><b>BLACK</b>            3030SD4-BL            3036SD4-BL            3042SD4-BL            3048SD4-BL</p>
<ul style="list-style-type: none"> <li>◆ 360± CFM @ 2.5 to 4.9 Sones</li> <li>◆ 7" Round Duct</li> <li>◆ Hood Body: WH=White, BL=Black</li> <li>◆ Wood Front Ready. Wood Front Provided by Home Owner.</li> </ul>	<p><b>WHITE</b>            3030SD2-WH            3036SD2-WH            3042SD2-WH</p> <p><b>BLACK</b>            3030SD2-BL            3036SD2-BL            3042SD2-BL</p>



3000SD4-BL

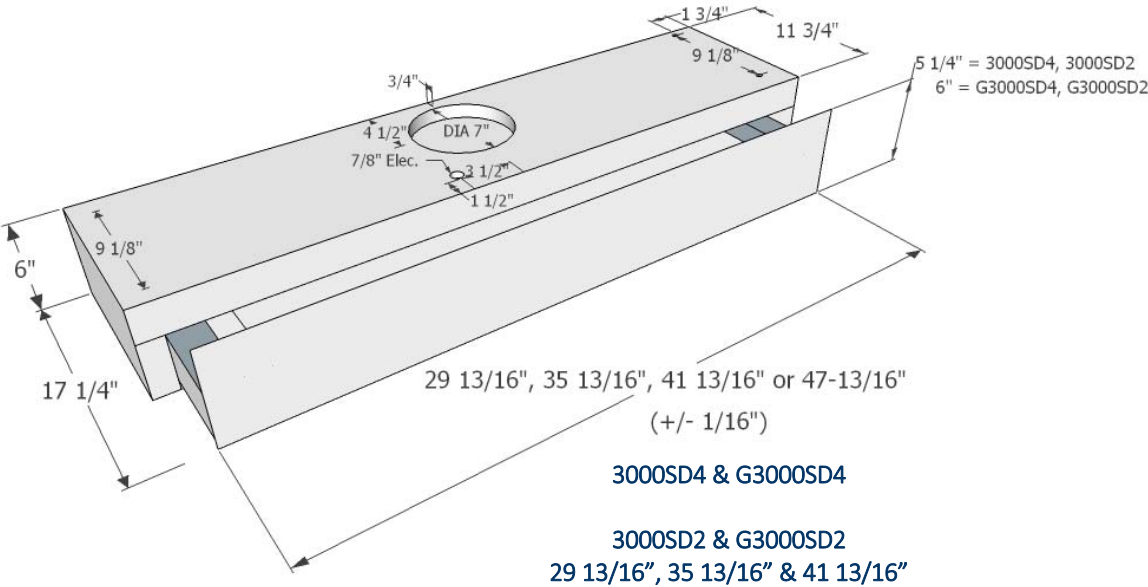
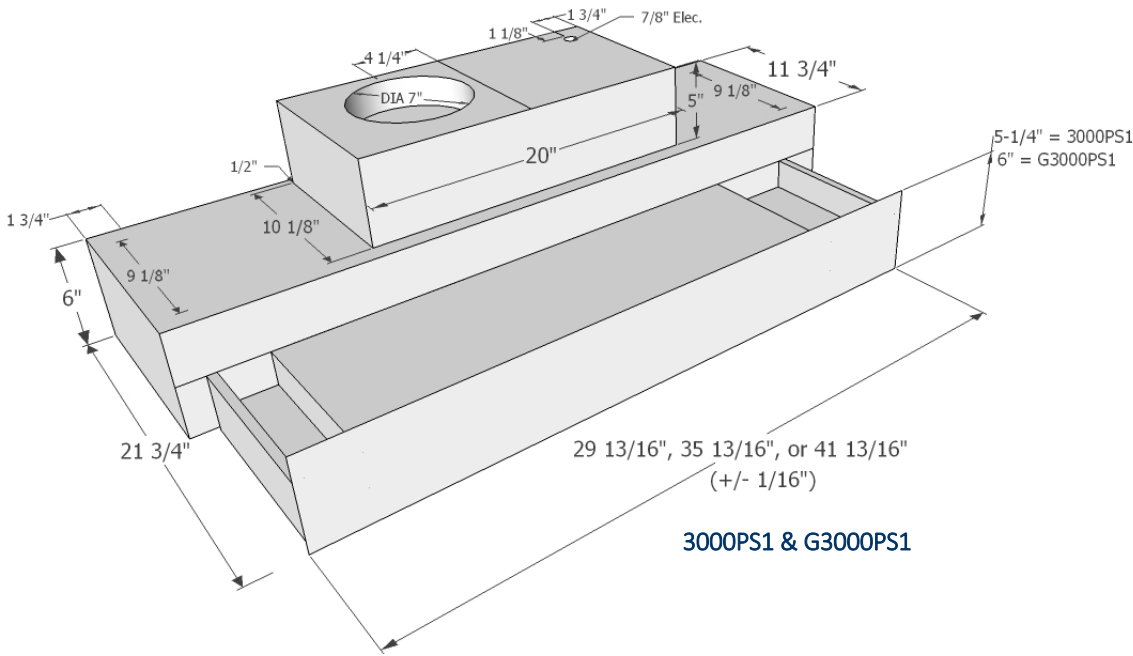
**FEATURES:**

- ◆ Variable or Rocker Controls.
- ◆ Lighting: 75 Watt Max Incandescent. (Not Included)
- ◆ Filters: Aluminum Mesh
- ◆ Heat Controlled Thermostat, Fire Safety Controlled. Activates at 130 degrees. (On PS1 model only).
- ◆ Suggested Distance Code: 36" above cooking surface. SD2 can be mounted at 30".
- ◆ Electrical: 115 AC, 60 Hz, 9 Amps. For proper installation, unit must be hard wired. Suggested use with 15 Amp Circuit.
- ◆ Installation: Included Mounting Screws.





# Flush Mount Specifications



**SEVEN YEAR, IN HOME, LIMITED WARRANTY, THE BEST IN THE INDUSTRY!**  
All dimensions are (+/-) 1/16" and are subject to change. Drawings are not to scale.



## Recycling Cabinet

Recycling Cabinet: 12", 15" or 18" Width	MODEL
<ul style="list-style-type: none"> <li>◆ Front Panel: Stainless, Black or White</li> <li>◆ Wood Front Ready (WF), to match existing cabinets. Wood Panel Supplied by Home Owner.</li> </ul>	RC12-BL-SS
	RC12-WH-SS
	RC12-BL-WF
	RC12-WH-WF
	RC12-WH
	RC12-BL
	RC15-BL-SS
	RC15-WH-SS
	RC15-BL-WF
	RC15-WH-WF
	RC15-WH
	RC15-BL
	RC18-BL-SS
	RC18-WH-SS
	RC18-BL-WF
	RC18-WH-WF
	RC18-WH
	RC18-BL



RC15-SS

**FEATURES:**

- ◆ Trash Cans Included
  - \*RC-12 Includes one 10 Gallon Can
  - RC15 Includes Two 7 Gallon Cans
  - RC18 Includes Two 10 Gallon Cans

\*RC12 includes hooks on inside front panel to hang trash bags.

**OPTIONS:**

- ◆ Black Base with Stainless Steel Front Panel  
Ex: RC15-BL-SS
- ◆ Custom Sizes Available.

Warranty: 1 year parts only

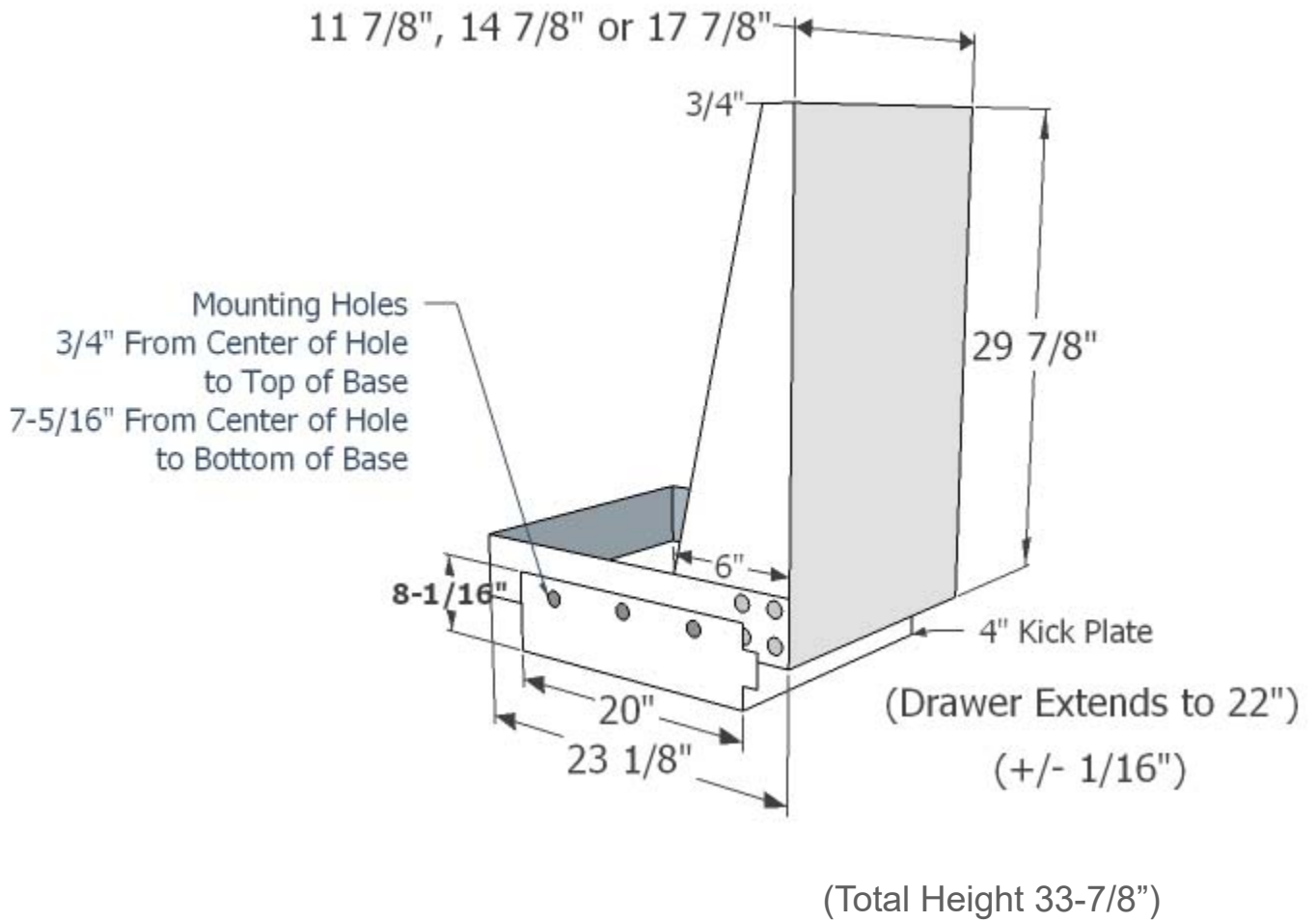


Photo shown is RC12-WH-SS  
(Photo is for visual purposes only)




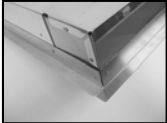
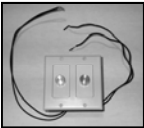



*Recycle for a better tomorrow.*

# Recycling Cabinet Specifications

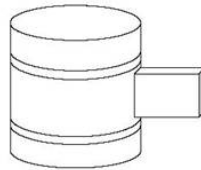


*Recycle for a better tomorrow.*

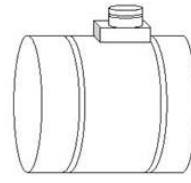
MODEL SERIES	FEATURES	MODEL
<p>Microwave Filler Kits—(Set of 2)</p>  <p>All Metal for Fire Safety!</p>	<ul style="list-style-type: none"> <li>◆ All Metal – 22 Gauge Steel</li> <li>◆ 3" and 6" Width</li> <li>◆ 11" Depth, 15-3/4" Height on MF3 &amp; MF6</li> <li>◆ 11" Depth, 17-1/4" Height on FK3</li> <li>◆ 11" Depth, 15-3/4" Height with 6" high side filler on GMF3</li> <li>◆ NEW: 10-7/8" Depth 10-5/16" Height 3" Wide WMF3</li> <li>◆ Custom Sizes – Call For Pricing</li> <li>◆ Standard Colors: White &amp; Black</li> </ul> 	<p>MF3-SS MF3-WH MF3-BL</p> <p>MF6-SS MF6-WH MF6-BL</p> <p>FK3-SS FK3-WH FK3-BL</p> <p>GMF3-SS GMF3-WH GMF3-BL</p> <p>WMF3-SS WMF3-WH WMF3-BL</p>
<p>RE-CIRCULATING KIT</p> 	<p>When Venting to Outside is Not Possible</p> <ul style="list-style-type: none"> <li>◆ Replaceable Charcoal Combo Filter</li> <li>◆ Mounting Hardware Included</li> <li>◆ Allow 2 3/8" Height for Kit Installation</li> <li>◆ Standard Finishes: Black &amp; White</li> <li>◆ Available in Stainless Steel for an additional charge.</li> </ul>	<p>30NV-SS 30NV-WH 30NV-BL</p> <p>36NV-SS 36NV-WH 36NV-BL</p> <p>42NV-SS 42NV-WH 42NV-BL</p> <p>48NV-SS 48NV-WH 48NV-BL</p>
<p>Flange (C2000)</p> 	<ul style="list-style-type: none"> <li>◆ Standard 3/4" Flange used with the C2000 Series.</li> <li>◆ Custom sizes available for a perfect fit. Call for quote.</li> </ul>	<p>7500</p> <p>FLANGE</p>
<p>Remote Wiring—Remote Location</p> 	<ul style="list-style-type: none"> <li>◆ Remote: Wired for remote location switch operation, original variable control switches and knobs included. (Gang box and face plate NOT included)</li> <li>◆ Electrical Requirements: Power Feed 115 AC, 60 Hz, 15 Amp. Properly Grounded Dedicated Branch Circuit.</li> </ul>	<p>REMOTE</p>
<p>Transition</p> 	<ul style="list-style-type: none"> <li>◆ Two 7" Round ducts in to One 10" Round Duct. 36"</li> <li>◆ Two 7" Round ducts in to One 10" Round Duct. 42", 48", 54" &amp; 60"</li> <li>◆ Two 8" Round Ducts in to One 10" Round Duct. 36"</li> <li>◆ Two 8" Round Ducts in to One 10" Round Duct. 42", 48", 54" &amp; 60" (NOT available in 36")</li> </ul> <p>Transitioning two ducts in to one will VOID Performance Warranty</p>	<p>TW36</p> <p>TW42</p> <p>TW836</p> <p>TW842</p>

## Introducing Residential Make-Up Air System

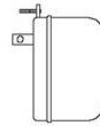
During the operation of a high CFM Range Hood, unconditioned outside air is necessary to bring back in to the home due to mass balance considerations. These units come complete with Switch Assembly, Motorized Damper and Power Transformer.



Switch Assembly

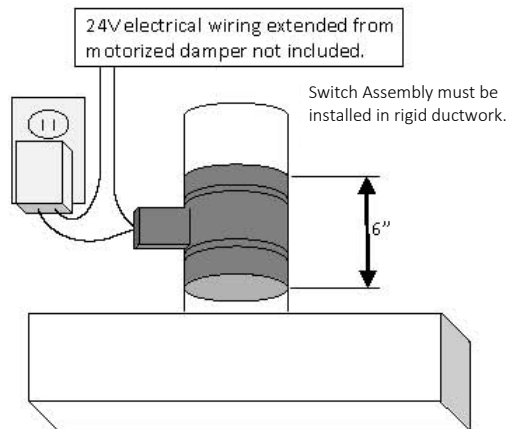


Motorized Damper



24V Plug-in Power Transformer

No additional Electrical Wiring Required: The 24V Transformer can be plugged into a 120V receptacle next to kitchen vent hood for a convenient and aesthetic install.



The recommended location for the Switch Assembly collar is in a straight duct run directly above the kitchen exhaust fan motor. If the Switch Assembly collar is installed 24" or higher above the exhaust fan or unable to be installed in a straight duct run, then a 90 degree elbow may be required.

MODELS	DUCT	CFM
MA7*	Single 7"	Up to a total of 700 CFM
MA8	Single 8"	Up to a total of 1000 CFM
MA10	Single 10"	Anything above 1000 CFM
OPTION		
MA6	Single 6"	Available upon request. 7" to 6" transition included.

\*Make-Up Air kit on MA7 is 8" round coming back into the house.

**LIMITED WARRANTY: 2 Years, Parts Only.**



MODEL	CFM	DUCT SIZE
ILB8*	850**	8"
ILB10*	1265**	10"

\*Clamps and back draft dampers are included in the purchase of the inline blower.

S8 or S10	SILENCER
-----------------	----------

- ◆ Inline duct fans designed with airtight galvanized steel housings. Ideal for use with smaller, standard size ranges. Available in 8" or 10" sizes.
- ◆ Silencer is made of galvanized steel for use in kitchen range hood ventilation where noise is a concern. Units feature rubber seal on inlet and outlet.
- ◆ Back draft dampers made of galvanized steel collar and lightweight aluminum damper blades. Spring loaded for positive closure. Included in purchase of blower.
- ◆ Clamps to attach to duct pipe included in purchase of blower.

**NOTE:** For optimal performance, ILB10 should be mounted between 25' to 30' above shell.

\*\*Some levels can reach 24 sones due to their power and distance from cooking surface. Silencer is recommended which will reduce sone level by approximately 50%. For more information contact Fantech directly.

Warranty provided by Fantech. 800-747-1762. **NOT** included in Imperial's standard 7 Year, In-Home Warranty.



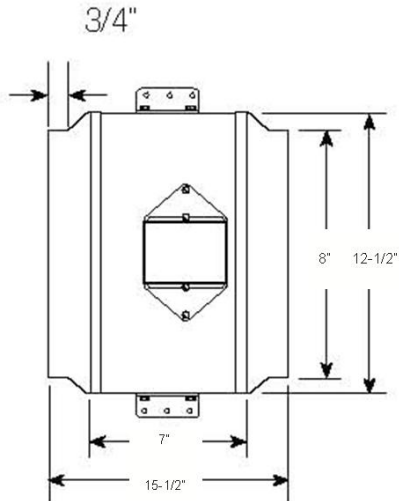
# In-Line Blower Specifications

ILB8

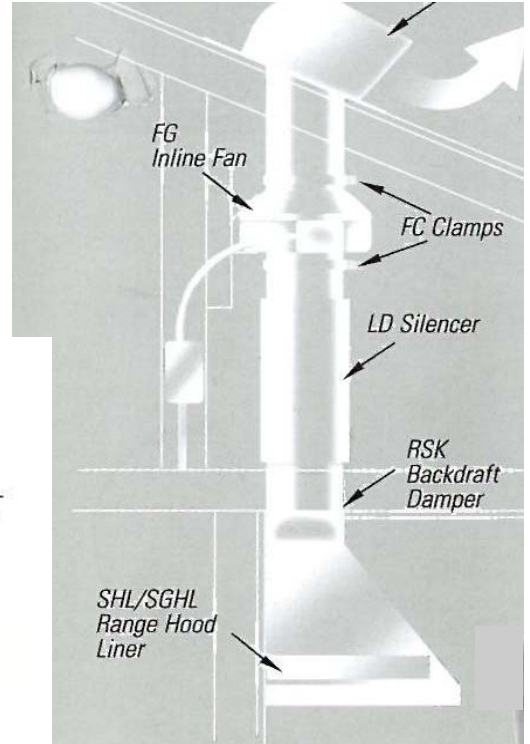
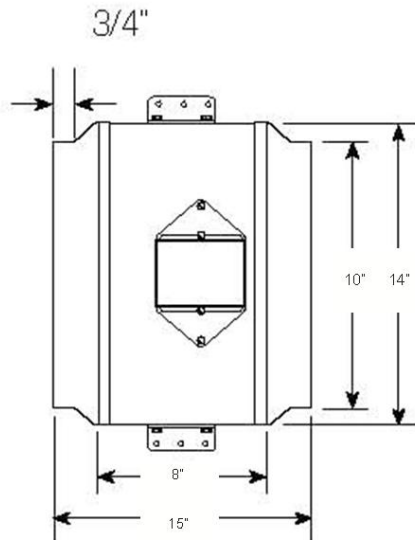
ILB10

\*Clamps and dampers included.

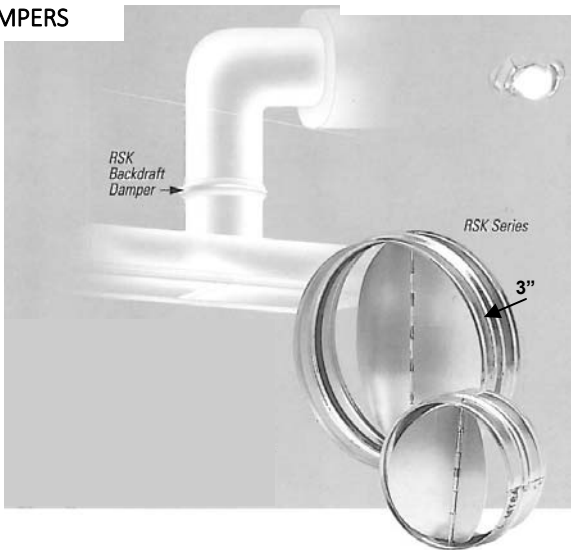
ILB8



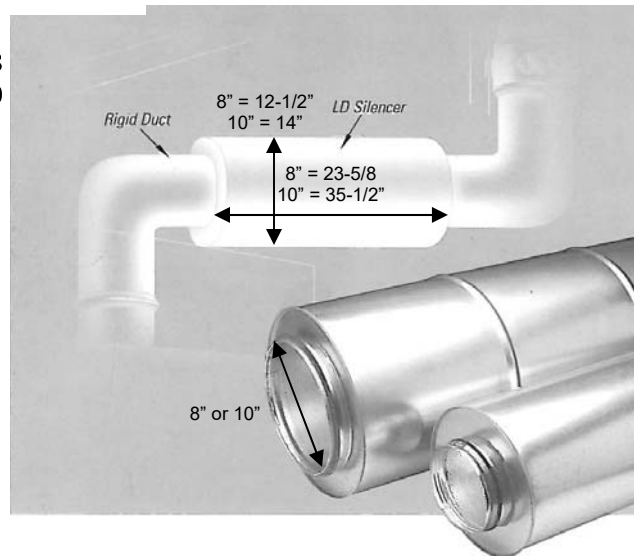
ILB10



## DAMPERS



S8  
S10



**\*\*CLAMP8 & CLAMP10 NOT PICTURED**

VENTILATOR INSERT—22-1/8" Depth	MODEL
◆ Height 10", Depth 22-1/8"	<b>8" Duct</b> C2036B-8-SS C2042B-8-SS C2048B-8-SS C2054B-8-SS C2060B-8-SS
	<b>10" Duct</b> C2036B-K-SS C2042B-K-SS C2048B-K-SS C2054B-K-SS C2060B-K-SS
VENTILATOR INSERT—18-1/8" Depth	MODEL
◆ Height 10", Depth 18-1/8"	<b>8" Duct</b> C2036B-8-18-SS C2042B-8-18-SS C2048B-8-18-SS C2054B-8-18-SS C2060B-8-18-SS
	<b>10" Duct</b> C2036B-K-18-SS C2042B-K-18-SS C2048B-K-18-SS C2054B-K-18-SS C2060B-K-18-SS



**FEATURES:**

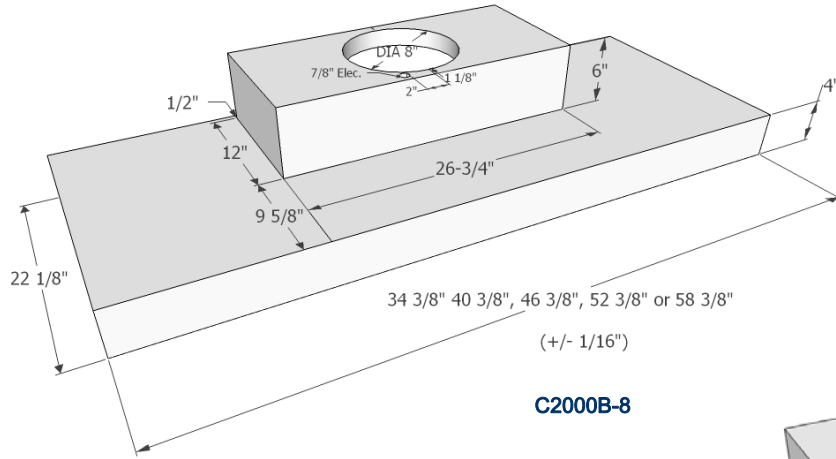
- ◆ 304 Marine Grade Stainless Steel.
- ◆ Variable Controls.
- ◆ Filters: Stainless Steel Baffle
- ◆ Front Panel Lighting: 38 Watt Halogen Included.
- ◆ Electrical: 115 AC, 60 Hz, 9 Amps. For proper installation, unit must be hard wired. Suggested use with 15 Amp Circuit.

**OPTIONS:**

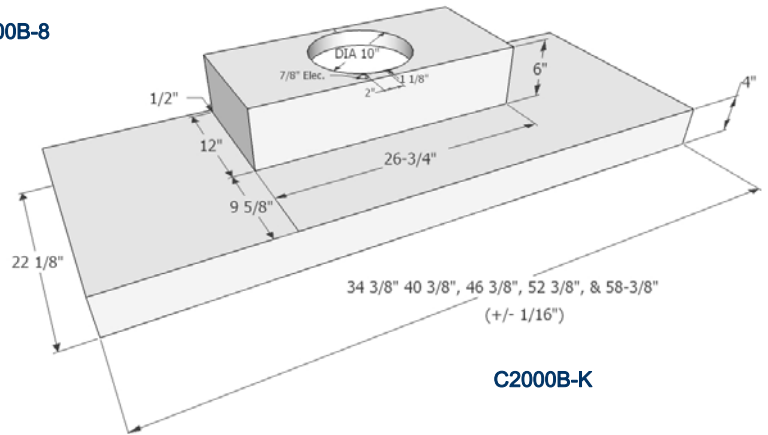
- ◆ 6.5 Watt LED available. (50 Watt Halogen Equivalent)  
Part # LBULB set of two.  
30" to 48" Hoods take 2 Bulbs (1 Set)  
54" Hood takes 4 Bulbs. (2 Sets)
- ◆ Custom Sizes Available.



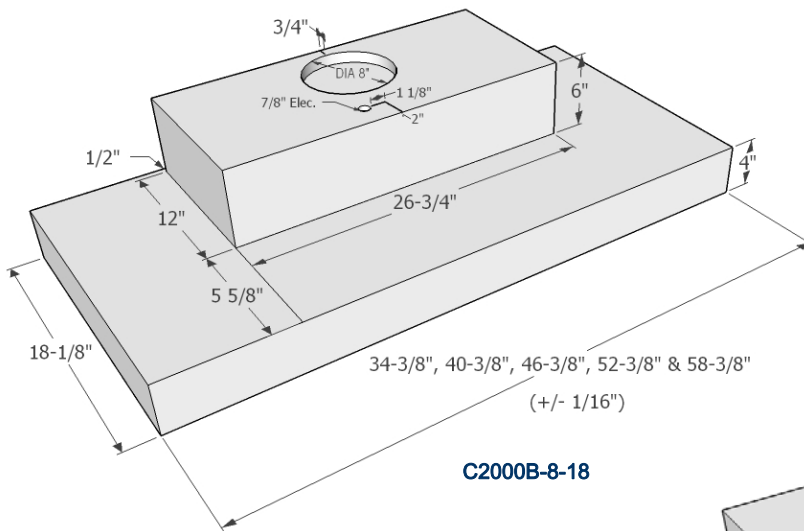
# Ventilator Specifications



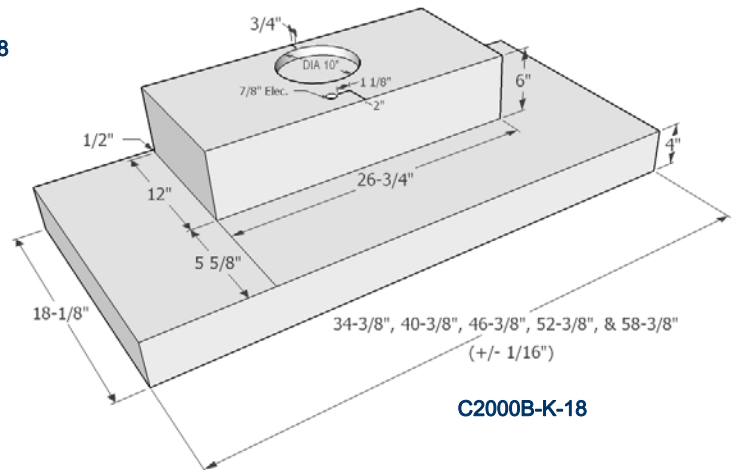
**C2000B-8**



**C2000B-K**



**C2000B-8-18**



**C2000B-K-18**

**NOTE:** On 54" & 60" units, top box width is 35-3/4".

## Ducting Considerations

Use a qualified installer to insure that all local installation, electrical and grounding codes are satisfied. Always refer to the specific installation instructions for your kitchen ventilation product.

The ducting should be installed with the shortest possible duct run and a minimum number of turns in the duct. Use of elbows and transitions can have a very significant effect on the recommended duct length.

Metal flex ducting is not recommended and in some areas is considered illegal due to the resistance of airflow caused by the irregular surface of the flex duct. If flex duct is used, count each foot of flex duct as two feet of regular metal duct in calculating the total duct run length.

A gradually tapered transition is required between different sizes of ducting.

Ventilation systems are less effective at higher altitudes. A reduction in the duct run of 20% is recommended at higher altitudes.

Placing two elbows or transitions next to each other can cause a significant reduction in performance. Always include a 24" straight section between any transitions if possible.

Don't use butt joints. Always use male/female connections with the male end pointing in the direction of the air flow.

Your kitchen ventilation system will work best if a source of "make-up" air is provided to replace the air being vented out. It may be a matter of simply opening the door between the kitchen and the rest of the home to let the air flow through.

Never end your duct run in an attic, garage or underneath your home.

**The best performance will come from a short straight run exiting through the roof.**

### CALCULATIONS FOR ALL ISLAND AND WALL DUCT COVERS

FOR ANGLE CUT DUCT COVERS, MUST PROVIDE A DRAWING AND DIMENSIONS.

CEILING HEIGHT \_\_\_\_\_ (minus)

COUNTER HEIGHT = \_\_\_\_\_ (Usually 36") (minus)  
(Floor to top of cook-top or stove)

MOUNTING HEIGHT = \_\_\_\_\_ 30" to 36" (minus)  
(Top of cook-top or stove to bottom of range hood)

RANGE HOOD HEIGHT = \_\_\_\_\_

DUCT COVER HEIGHT = \_\_\_\_\_





